

# Technical Information

## Liquiphant FTL64

Vibronic  
HART



Point level switch for liquids in high-temperature applications

### Application

- Point level switch for all liquids, for minimum or maximum detection in tanks, vessels and piping, even in hazardous areas
- Particularly suitable for high-temperature applications with up to 280 °C (536 °F)
- Tuning fork and process connection with highly corrosion-resistant Alloy C22 (2.4602) material and PFA-coated (conductive) version available for very aggressive media
- Process temperature range: -60 to +280 °C (-76 to +536 °F)
- Pressures up to 100 bar (1450 psi)
- Viscosities up to 10 000 mPa·s
- Ideal substitute for float switches; reliable function is not affected by flow, turbulence, air bubbles, foam, vibration, solids content or buildup.

### Advantages

- Approved for safety systems with functional safety requirements up to SIL2/SIL3 in accordance with IEC 61508
- Maximum safety thanks to welded gas-tight feedthrough, even if sensor is damaged
- Functional safety: monitoring of the vibration frequency of the tuning fork
- Heartbeat Technology via Fieldcare/DTM and the free iOS/Android SmartBlue app
- With *Bluetooth*® wireless technology

## Table of contents

<b>About this document</b> .....	<b>4</b>	Storage temperature .....	18
Symbols .....	4	Humidity .....	18
<b>Function and system design</b> .....	<b>5</b>	Operating height .....	18
point level detection .....	5	Climate class .....	18
Measuring principle .....	5	Degree of protection .....	18
Measuring system .....	5	Vibration resistance .....	19
Dependability for measuring devices with HART or Bluetooth .....	5	Shock resistance .....	19
		Mechanical load .....	19
		Pollution degree .....	19
		Electromagnetic compatibility (EMC) .....	19
<b>Input</b> .....	<b>5</b>	<b>Process</b> .....	<b>19</b>
Measured variable .....	5	Process temperature range .....	19
Measuring range .....	6	Medium conditions .....	19
		Thermal shock .....	19
<b>Output</b> .....	<b>6</b>	Process pressure range .....	19
Output signal .....	6	Overpressure limit .....	20
Signal on alarm .....	6	Medium density .....	20
4 to 20 mA passive, HART .....	6	Viscosity .....	20
Damping .....	6	Pressure tightness .....	20
Switch output .....	7	Solids contents .....	20
Ex connection data .....	7		
Protocol-specific data .....	7	<b>Mechanical construction</b> .....	<b>21</b>
Wireless HART data .....	8	Design, dimensions .....	21
Heartbeat Technology .....	8	Dimensions .....	21
		Weight .....	30
		Materials .....	31
		Surface roughness .....	33
<b>Power supply</b> .....	<b>8</b>	<b>Display and user interface</b> .....	<b>33</b>
Terminal assignment .....	8	Operating concept .....	33
Available connectors .....	9	Languages .....	33
Supply voltage .....	9	Onsite operation .....	34
Potential equalization .....	9	Local display .....	34
Terminals .....	10	Remote operation .....	35
Cable entries .....	10	System integration .....	35
Cable specification .....	10	Supported operating tools .....	35
Overvoltage protection .....	10	HistoROM data management .....	35
		<b>Certificates and approvals</b> .....	<b>35</b>
<b>Performance characteristics</b> .....	<b>11</b>	CE mark .....	35
Reference operating conditions .....	11	RCM marking .....	35
Take switch point into consideration .....	11	Ex-approval .....	35
Maximum measured error .....	11	Overfill protection .....	35
Resolution .....	11	Corrosion test .....	36
Dead time, time constant, settling time .....	11	Additional information .....	36
Dynamic behavior, current output .....	11	General material compliance .....	36
Dynamic behavior, digital output .....	12	Functional safety .....	36
Hysteresis .....	12	Radio approval .....	36
Non-repeatability .....	12	CRN approval .....	36
Influence of the process temperature .....	12	Service .....	36
Influence of the process pressure .....	12	Test, certificate, declaration .....	36
		Pressure Equipment Directive .....	37
		Process seal as per ANSI/ISA 12.27.01 .....	37
		EAC conformity .....	37
		ASME B 31.3/31.1 .....	37
<b>Installation</b> .....	<b>12</b>		
Mounting location, orientation .....	12		
Installation instructions .....	13		
Installing the device in piping .....	15		
Aligning the cable entry .....	15		
Special mounting instructions .....	16		
<b>Environment</b> .....	<b>17</b>		
Ambient temperature range .....	17		

<b>Ordering information</b> .....	<b>37</b>
TAG .....	38
Test reports, declarations and inspection certificates .....	38
<b>Application packages</b> .....	<b>38</b>
Heartbeat Technology module .....	38
Heartbeat Diagnostics .....	39
Heartbeat Verification .....	39
Heartbeat Monitoring .....	39
Proof testing .....	39
<b>Accessories</b> .....	<b>39</b>
Device Viewer .....	39
Protective cover for aluminum dual compartment housing .	39
Protective cover for single compartment housing, aluminum or 316L .....	40
M12 socket .....	40
Sliding sleeves for unpressurized operation .....	40
High pressure sliding sleeves .....	41
<b>Documentation</b> .....	<b>43</b>
Standard documentation .....	43
<b>Registered trademarks</b> .....	<b>43</b>

## About this document

### Symbols

#### Safety symbols



This symbol alerts you to a dangerous situation. Failure to avoid this situation will result in serious or fatal injury.



This symbol alerts you to a dangerous situation. Failure to avoid this situation can result in serious or fatal injury.

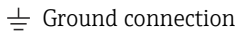


This symbol alerts you to a dangerous situation. Failure to avoid this situation can result in minor or medium injury.



This symbol contains information on procedures and other facts which do not result in personal injury.

#### Electrical symbols



Grounded clamp, which is grounded via a grounding system.

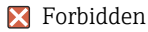


Ground terminals, which must be grounded prior to establishing any other connections. The ground terminals are located on the inside and outside of the device.

#### Symbols for certain types of information



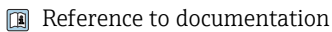
Procedures, processes or actions that are permitted.



Procedures, processes or actions that are forbidden.



Indicates additional information



Reference to another section



#### Symbols in graphics

**A, B, C ...** View

1, 2, 3 ... Item numbers



Safe area (non-hazardous area)

#### Communication-specific symbols



Wireless data transmission between devices over a short distance.

## Function and system design

### point level detection

Maximum or minimum detection for liquids in tanks or pipes in all industries. Suitable for leakage monitoring, pump dry-running protection or overflow prevention, for example .

Specific versions are suitable for use in hazardous areas.

The point level switch differentiates between the "covered" and "not covered" conditions.

Depending on the MIN (minimum detection) or MAX (maximum detection) modes, there are two possibilities in each case: OK status and demand mode.

OK status

- In MIN mode, the fork is covered, e.g. Pump dry running protection
- In MAX mode, the fork is not covered e.g. overflow prevention

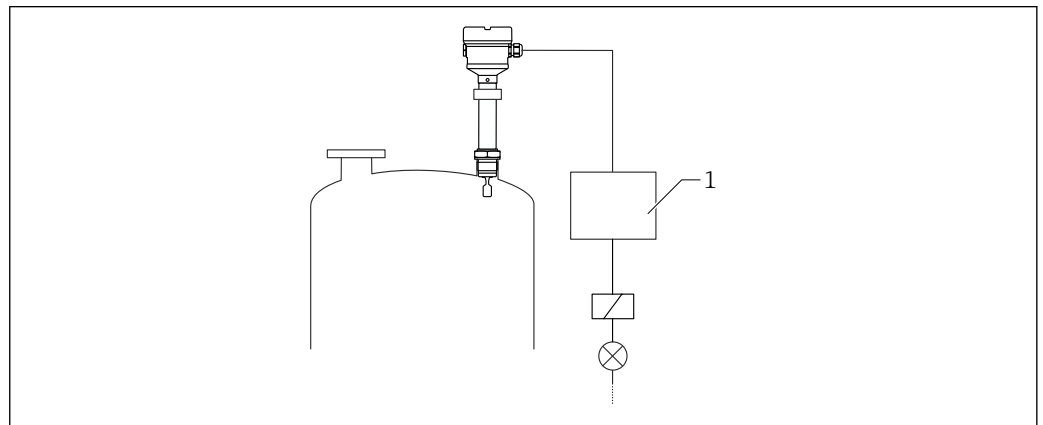
Demand mode

- In MIN mode, the fork is not covered e.g. pump dry running protection
- In MAX mode, the fork is covered e.g. overflow prevention

### Measuring principle

The sensor's tuning fork vibrates at its intrinsic frequency. As soon as the liquid covers the tuning fork, the vibration frequency decreases. The change in frequency causes the point level switch to switch.

### Measuring system



A0046342

1 Example of a measuring system

1 Switching unit, PLC etc.

### Dependability for measuring devices with HART or Bluetooth

#### IT security

Endress+Hauser can only provide a warranty if the device is installed and used as described in the Operating Instructions. The device is equipped with security mechanisms to protect it against any inadvertent changes to the device settings. IT security measures in line with operators' security standards and designed to provide additional protection for the device and device data transfer must be implemented by the operators themselves.

#### Device-specific IT security

The device offers specific functions to support protective measures by the operator. These functions can be configured by the user and guarantee greater in-operation safety if used correctly. An overview of the most important functions is provided in the following section:

- Write protection via hardware write protection switch
- Access code (applies for operation via display, Bluetooth, FieldCare, DeviceCare, AMS, PDM ...)

## Input


### Measured variable

Level (point level), MAX or MIN safety



**Switch output**

- Preset switching delay times can be ordered:
- 0.5 s when the tuning fork is covered and 1.0 s when the tuning fork is uncovered (factory setting)
  - 0.25 s when the tuning fork is covered and 0.25 s when the tuning fork is uncovered
  - 1.5 s when the tuning fork is covered and 1.5 s when the tuning fork is uncovered
  - 5.0 s when the tuning fork is covered and 5.0 s when the tuning fork is uncovered

 The user can also set the switching delays for when the fork is covered and uncovered in the range from 1 to 60 seconds independently of one another.

(Operation via display, Bluetooth or FieldCare, DeviceCare, AMS, PDM)

**Ex connection data**

See safety instructions (XA): All data relating to explosion protection are provided in separate Ex documentation and are available from the Downloads area of the Endress+Hauser website. The Ex documentation is supplied as standard with all devices approved for use in explosion hazardous areas.

**Protocol-specific data**

**HART**

- Manufacturer ID: 17 (0x11)
- Device type code: 0x11C4
- Device revision: 1
- HART specification: 7
- DD revision: 1
- Device description files (DTM, DD) information and files at:
  - [www.endress.com](http://www.endress.com)
  - [www.fieldcommgroup.org](http://www.fieldcommgroup.org)
- HART load: min. 250 Ω

*HART device variables (preset at the factory)*

The following measured values are assigned to the device variables at the factory:

Device variable	Measured value
<b>Primary variable (PV)</b> parameter (Primary variable) <sup>1)</sup>	Point level detection <sup>2)</sup>
<b>Secondary variable (SV)</b> parameter (Secondary variable)	Sensor frequency <sup>3)</sup>
<b>Tertiary variable (TV)</b> parameter (Third variable)	Fork state <sup>4)</sup>
<b>Quaternary variable (QV)</b> parameter (Quaternary variable)	Sensor temperature

- 1) The PV is always applied to the current output.
- 2) Point level detection is the initial state depending on the fork state (uncovered/covered) and the safety function (MIN/MAX)
- 3) Sensor frequency is the oscillation frequency of the fork
- 4) Fork state is the fork state (**Fork covered** option/**Fork uncovered** option)

*Choice of HART device variables*

- Level limit detection
- Sensor frequency
- Fork state
- Sensor temperature
- Terminal current  
The terminal current is the read-back current on terminal block. Visibility depends on order options or device settings
- Terminal voltage  
Visibility depends on order options or device settings

*Supported functions*

- Burst mode
- Additional transmitter status
- Device locking

**Wireless HART data**

- Minimum start-up voltage: 10.5 V
- Start-up current: > 3.6 mA
- Start-up time: < 8 s
- Minimum operating voltage: 10.5 V
- Multidrop current: 4 mA

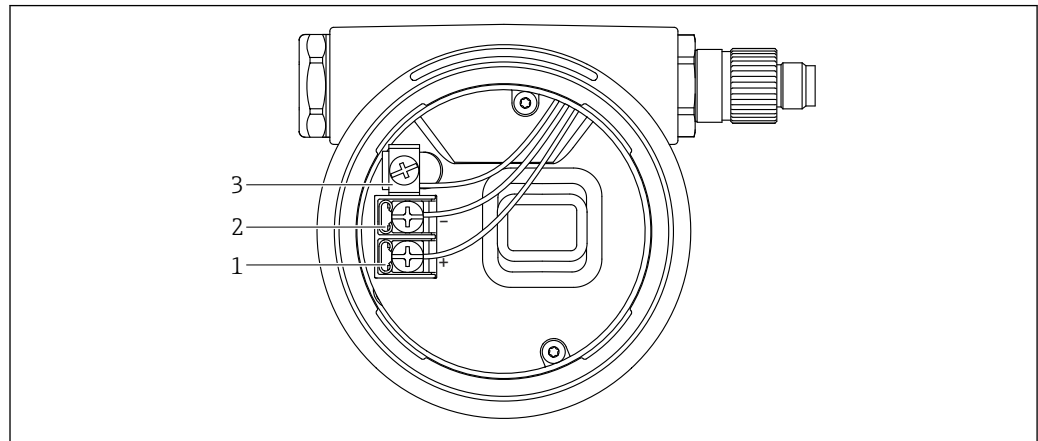
**Heartbeat Technology****Heartbeat Technology module**

The software package consists of 3 modules. These three modules combined check, evaluate and monitor device functionality and process conditions.




- Heartbeat Diagnostics
- Heartbeat Verification
- Heartbeat Monitoring

## Power supply

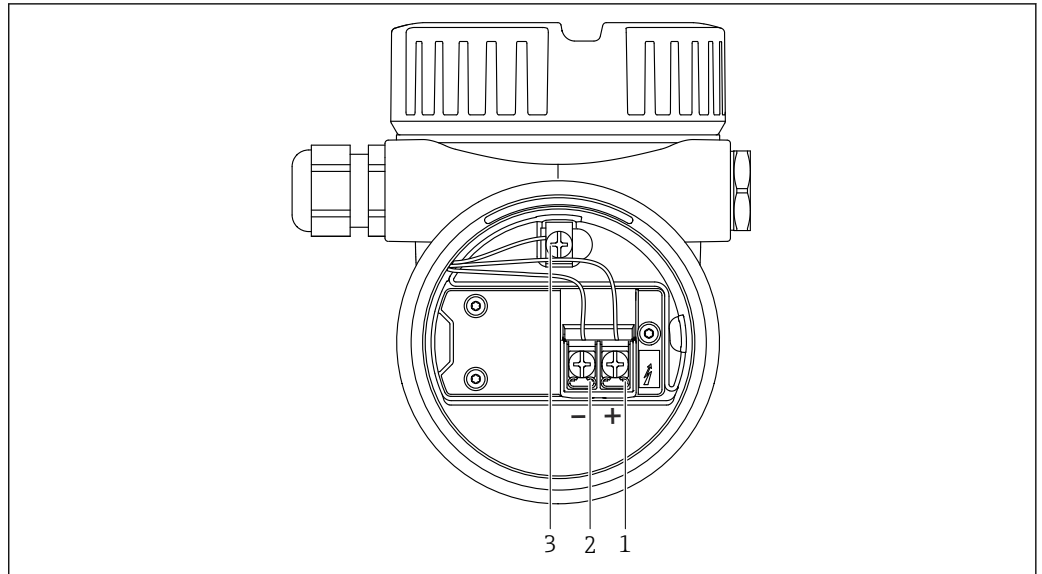
**Terminal assignment****Single-compartment housing**

A0042594

 2 Connection terminals and ground terminal in the connection compartment

- 1 Positive terminal
- 2 Negative terminal
- 3 Internal ground terminal

Dual-compartment housing, L-form



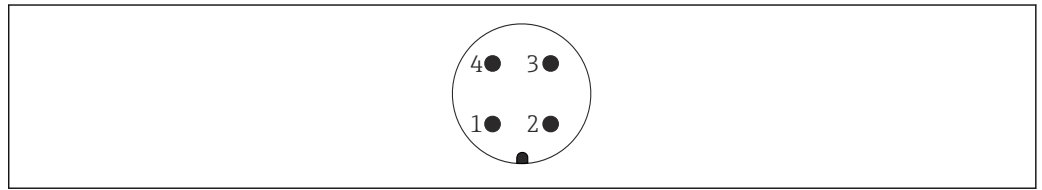
3 Connection terminals and ground terminal in the connection compartment

- 1 Positive terminal
- 2 Negative terminal
- 3 Internal ground terminal

Available connectors

**i** In the case of devices with a plug, it is not necessary to open the housing for connection purposes.

M12 plug



4 M12 plug, pin assignment

- 1 Signal +
- 2 Not used
- 3 Signal -
- 4 Ground

**f** For more details, see the "Accessories" section.

Supply voltage

- $U = 10.5$  to  $35 V_{DC}$  (Ex d, Ex e, non-Ex)
- $U = 10.5$  to  $30 V_{DC}$  (Ex i)
- Rated current: 4 to 20 mA HART

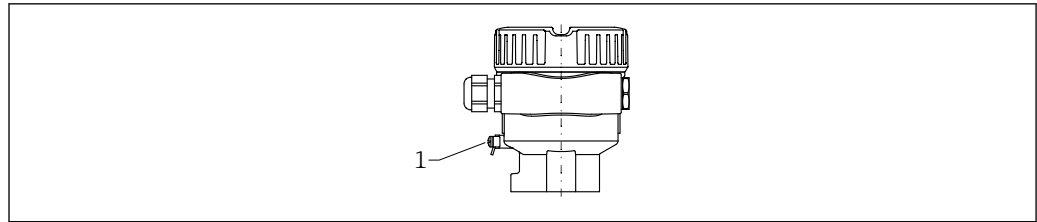
**i** ■ The power unit must be tested to ensure it meets safety requirements (e.g. PELV, SELV, Class 2) and must comply with the relevant protocol specifications.  
 ■ Comply with the following according to IEC/EN61010-1: provide a suitable circuit breaker for the device.

Potential equalization

**⚠ WARNING**

**Explosion Hazard!**

- ▶ Please refer to the separate documentation on applications in hazardous areas for the safety instructions.



A0045830

1 Ground terminal for connecting the potential matching line

**i** If necessary, the potential matching line can be connected to the external ground terminal of the transmitter before the device is connected.

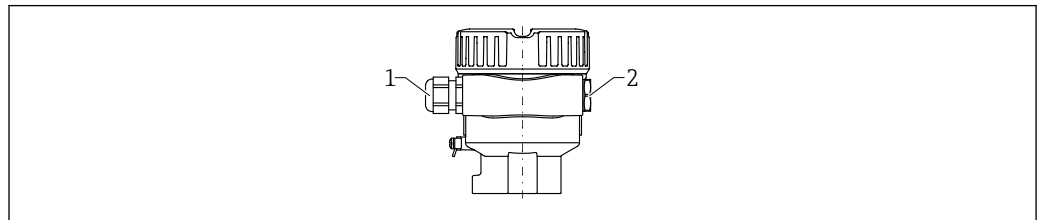
**i** For optimum electromagnetic compatibility:

- Potential matching line as short as possible
- Observe a cross-section of at least 2.5 mm<sup>2</sup> (14 AWG)

### Terminals

- Supply voltage and internal ground terminal: 0.5 to 2.5 mm<sup>2</sup> (20 to 14 AWG)
- External ground terminal: 0.5 to 4 mm<sup>2</sup> (20 to 12 AWG)

### Cable entries



A0045831

1 Cable entry  
2 Dummy plug

The type of cable entry depends on the device version ordered.

### Cable specification

- The cable outer diameter depends on the cable entry used
- Cable outer diameter
  - Plastic:  $\varnothing$ 5 to 10 mm (0.2 to 0.38 in)
  - Nickel-plated brass:  $\varnothing$ 7 to 10.5 mm (0.28 to 0.41 in)
  - Stainless steel:  $\varnothing$ 7 to 12 mm (0.28 to 0.47 in)

### Overvoltage protection

#### Devices without optional overvoltage protection

Equipment from Endress+Hauser fulfills the requirements of the product standard IEC/DIN EN 61326-1 (Table 2 Industrial Environment).

Depending on the type of port (DC supply, input/output port) different test levels according to IEC/DIN EN 61326-1 against transient overvoltages (Surge) are applied (IEC/DIN EN 61000-4-5):  
Test level on DC power ports and input/output ports is 1 000 V line to earth

#### Devices with optional overvoltage protection

- Spark-over voltage: min. 400 V<sub>DC</sub>
- Tested: According to IEC/DIN EN 60079-14 sub chapter 12.3 (IEC/DIN EN 60060-1 chapter 7)
- Nominal discharge current: 10 kA

#### Overvoltage category

Overvoltage category II

#### Pollution degree

Pollution degree 2

## Performance characteristics

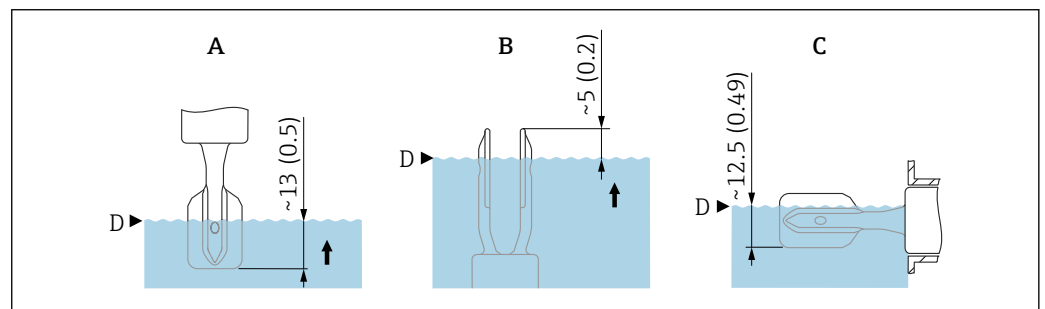
### Reference operating conditions

- Ambient temperature: +23 °C (+73 °F)
- Process temperature: +23 °C (+73 °F) ±5 °C (9 °F)
- Density (water): 1 g/cm<sup>3</sup> (62.4 lb/ft<sup>3</sup>)
- Medium viscosity: 1 mPa·s
- Process pressure: unpressurized
- Sensor installation: vertically from above
- Density selection switch: > 0.7 g/cm<sup>3</sup> (43.7 lb/ft<sup>3</sup>) (SGU)
- Switch direction of sensor: uncovered to covered

### Take switch point into consideration

The following are typical switch points, depending on the orientation of the point level switch  
 Water +23 °C (+73 °F)

**i** Minimum distance between the tuning fork and the tank wall or pipe wall: 10 mm (0.39 in)



A0044069

**5** Typical switch points. Unit of measurement mm (in)

- A Installation from above
- B Installation from below
- C Installation from the side
- D Switch point

### Maximum measured error

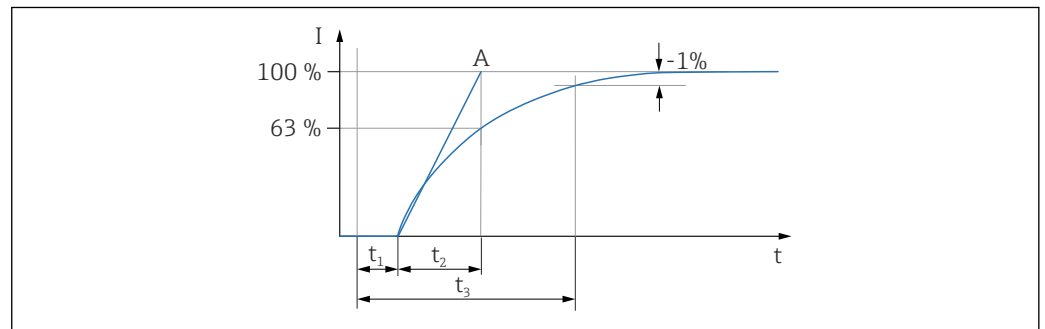
At reference operating conditions: max. ±1 mm (0.04 in)

### Resolution

Current output: < 1 μA

### Dead time, time constant, settling time

Presentation of the dead time, time constant and settling time as per DIN EN 61298-2



A0042012

- $t_1$  Dead time
- $t_2$  Time constant
- $t_3$  Settling time
- A Stable full scale value

### Dynamic behavior, current output

- Dead time ( $t_1$ ): 100 ms
- Time constant T63 ( $t_2$ ): can be set from 0 to 999 s
- Settling time ( $t_3$ ): minimum 250 ms

**Dynamic behavior, digital output**

- Dead time ( $t_1$ ):
  - Minimum: 200 ms
  - Maximum: 800 ms
- Time constant T63 ( $t_2$ ): can be set from 0 to 999 s
- Settling time ( $t_3$ ): minimum 200 ms

**Reading cycle**

- Acyclic: maximum 3/s, typically 1/s (depending on command # and number of preambles)
- Cyclic (burst): maximum 3/s, typically 2/s

The device offers the BURST MODE function for cyclic value transmission via the HART communication protocol.

**Cycle time (update time)**

Cyclic (burst): at least 300 ms

**Hysteresis**

At reference operating conditions: 2.5 mm (0.1 in)

**Non-repeatability**

0.5 mm (0.02 in)

**Influence of the process temperature**

The switch point moves from +1.4 to -5.5 mm (+0.06 to -0.22 in) in the temperature range of -60 to +280 °C (-76 to +536 °F)

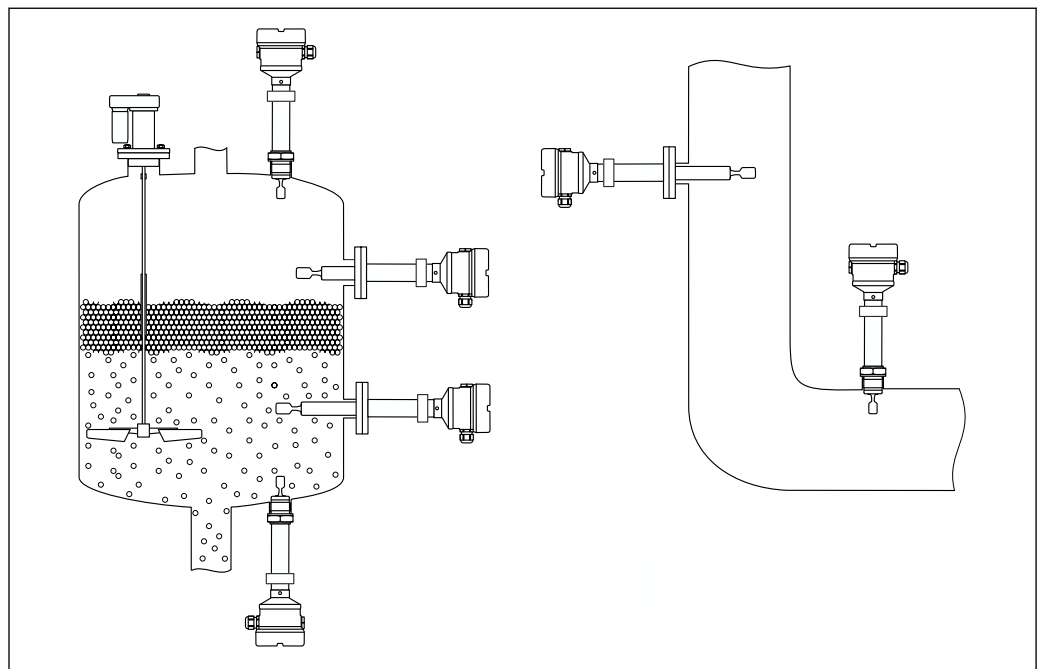
**Influence of the process pressure**

The switch point moves from 0 to -3.9 mm (0 to -0.15 in) in the pressure range of -1 to +100 bar (-14.5 to +1450 psi)

## Installation

**Mounting location, orientation****Mounting instructions**

- Any orientation for version with a pipe length of up to 500 mm (19.7 in) approx.
- Vertical orientation from above for device with long pipe
- Minimum distance between the tuning fork and the tank wall or pipe wall: 10 mm (0.39 in)



6 Installation examples for a vessel, tank or pipe

A0042329

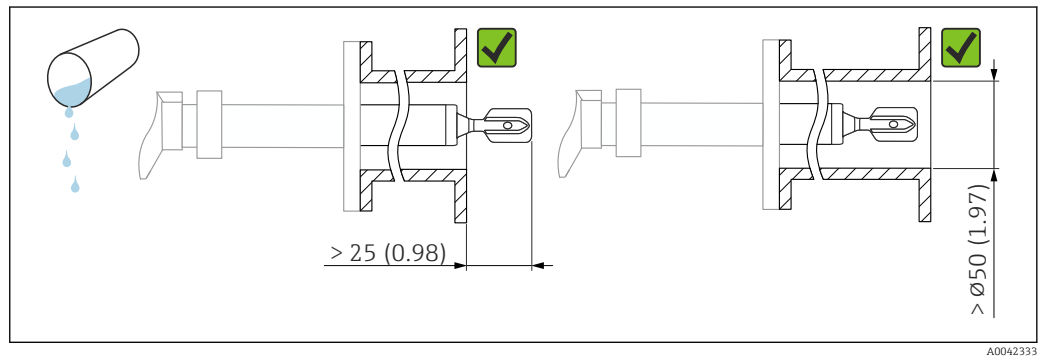
**Installation instructions**

**Take viscosity into consideration**

- i** Viscosity values
  - Low viscosity : < 2 000 mPa·s
  - High viscosity: > 2 000 to 10 000 mPa·s

*Low viscosity*

- i** Low viscosity, e.g. water: < 2 000 mPa·s  
It is permitted to position the tuning fork within the installation socket.



**7** Installation example for low-viscosity liquids. Unit of measurement mm (in)

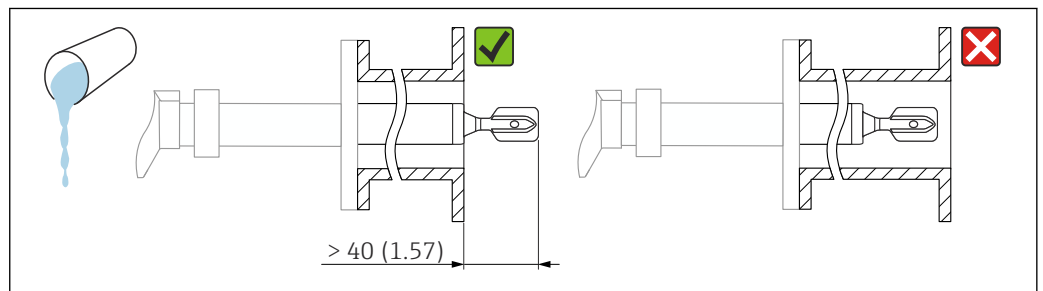
*High viscosity*

**NOTICE**

**Highly viscous liquids may cause switching delays.**

- ▶ Make sure that the liquid can run off the tuning fork easily.
- ▶ Deburr the socket surface.

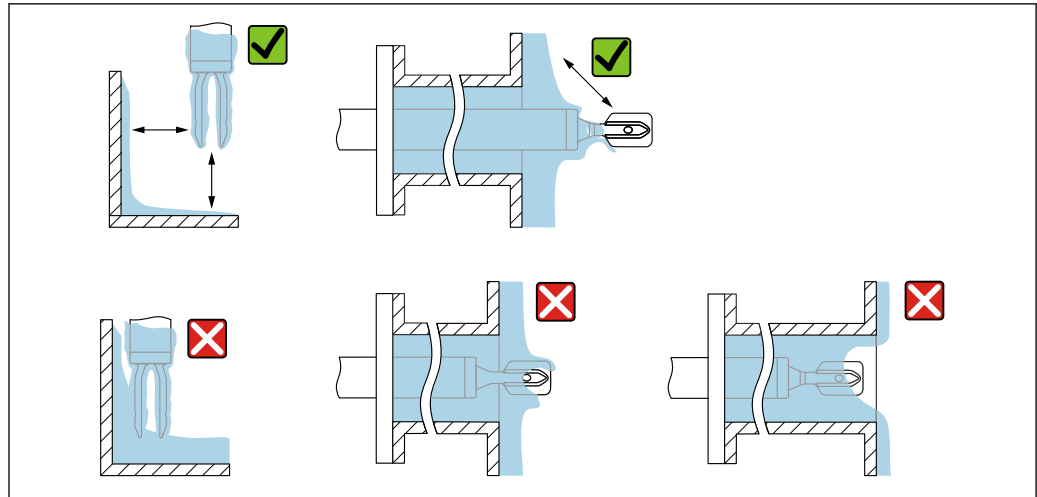
- i** High viscosity, e.g. viscous oils: ≤ 10 000 mPa·s  
The tuning fork must be located outside the installation socket!



**8** Installation example for a highly viscous liquid. Unit of measurement mm (in)

**Avoid buildup**

- Use short installation sockets to ensure that the tuning fork projects freely into the vessel
- Leave sufficient distance between the buildup expected on the tank wall and the tuning fork

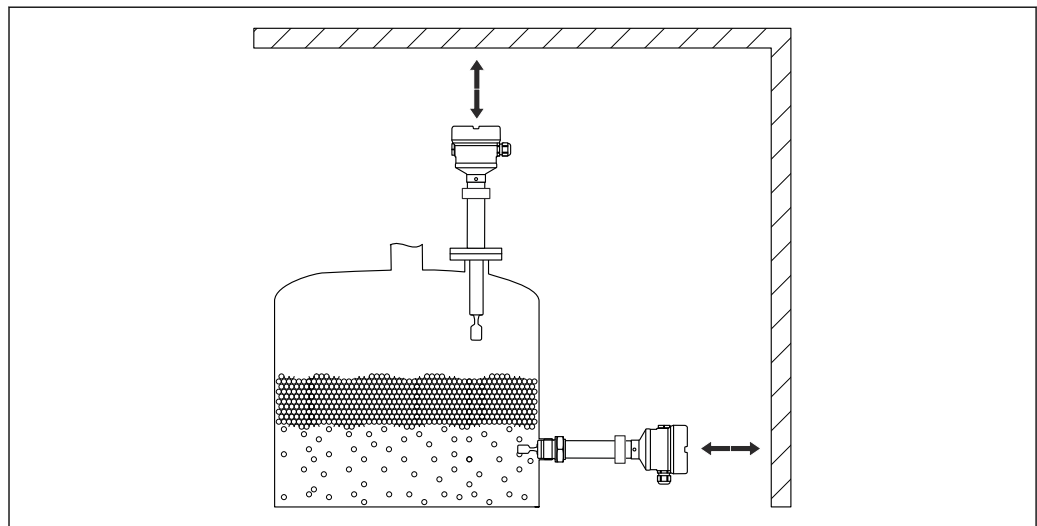


A0042345

9 Installation examples for a highly viscous process medium

### Take clearance into consideration

Allow sufficient space outside the tank for mounting, connection and settings involving the electronic insert.



A0042340

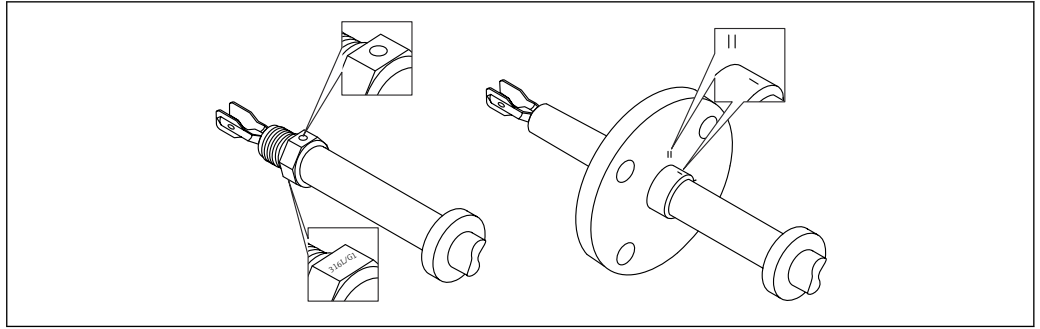
10 Take clearance into consideration

### Aligning the tuning fork using the marking

The tuning fork can be aligned using the marking in such a way that the medium drains off easily and buildup is avoided.

Markings on the process connection:

Material specification, thread designation, circle, line or double line

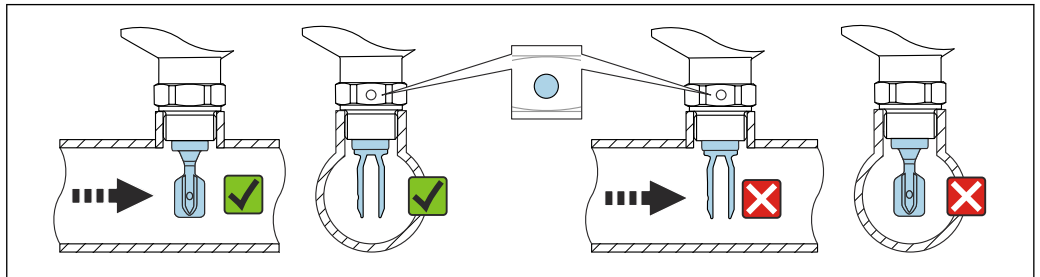


A0042348

11 Position of the tuning fork when installed horizontally in the vessel using the marking

**Installing the device in piping**

- Flow velocity up to 5 m/s with a viscosity of 1 mPa·s and density of 1 g/cm<sup>3</sup> (62.4 lb/ft<sup>3</sup>) (SGU). Check for correct functioning in the event of other process medium conditions.
- The flow will not be significantly impeded if the tuning fork is correctly aligned and the marking is pointing in the direction of flow.
- The marking is visible when installed



A0034851

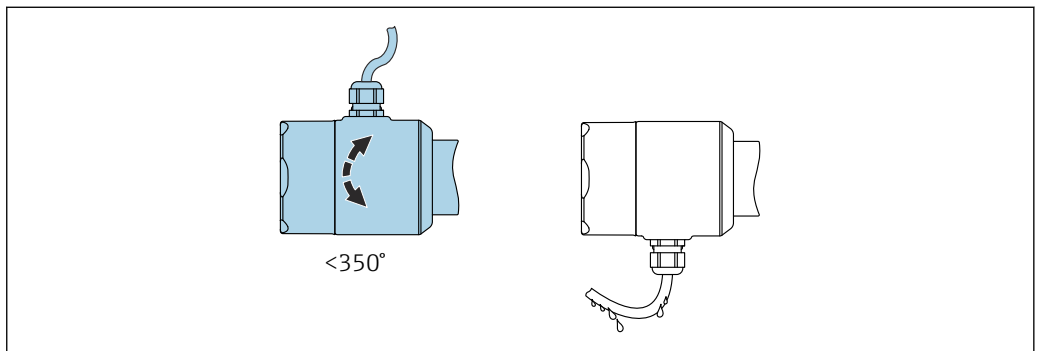
12 Installation in pipes (take fork position and marking into consideration)

**Aligning the cable entry**

All housings can be aligned.

**Housing without locking screw**

The device housing can be rotated up to 350°.

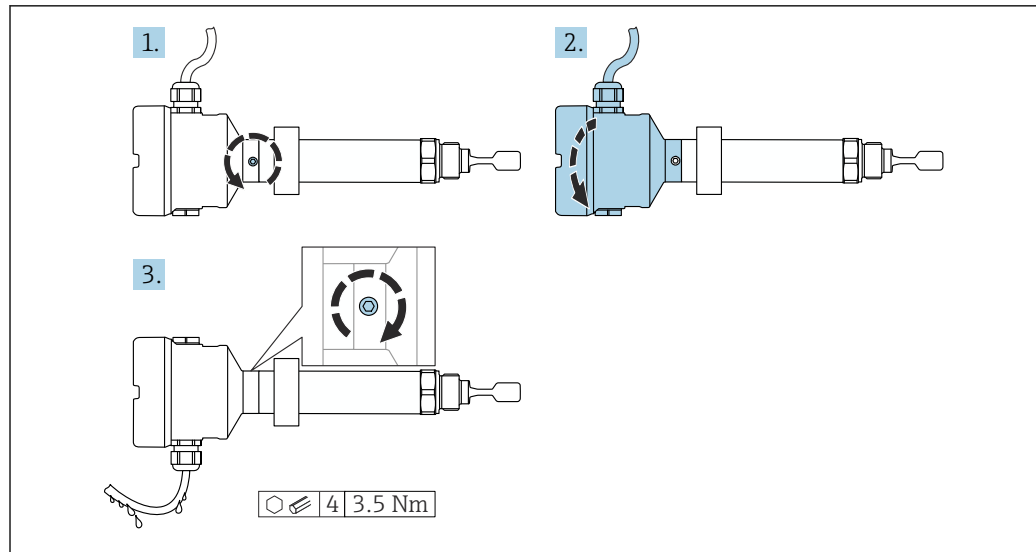


A0052359

13 Housing without locking screw with drip loop

**Housing with locking screw**

- Housings with locking screw:
  - The housing can be turned and the cable aligned by turning the locking screw.
  - The locking screw is not tightened when the device is delivered.



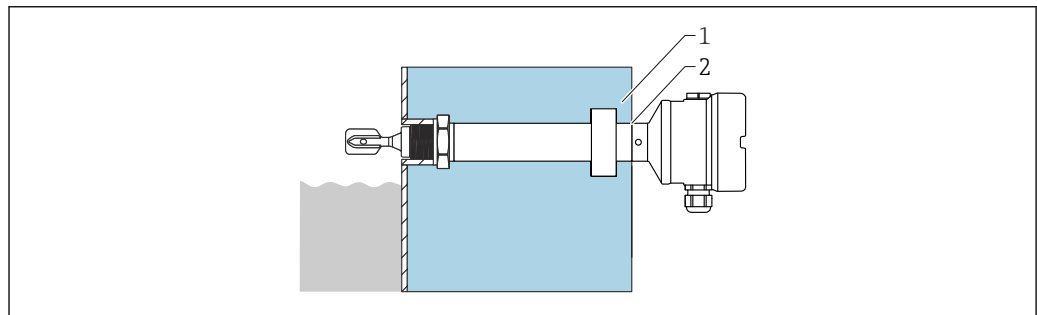
A0042355

14 Housing with external locking screw and drip loop

### Special mounting instructions

#### Vessel with heat insulation

If process temperatures are high, the device should be incorporated in the usual vessel insulation system to prevent the electronics from heating as a result of thermal radiation or convection. The insulation in this case should not be higher than the neck of the device.



A0050991

15 Vessel with heat insulation

- 1 Vessel insulation
- 2 Insulation up to the housing neck max.

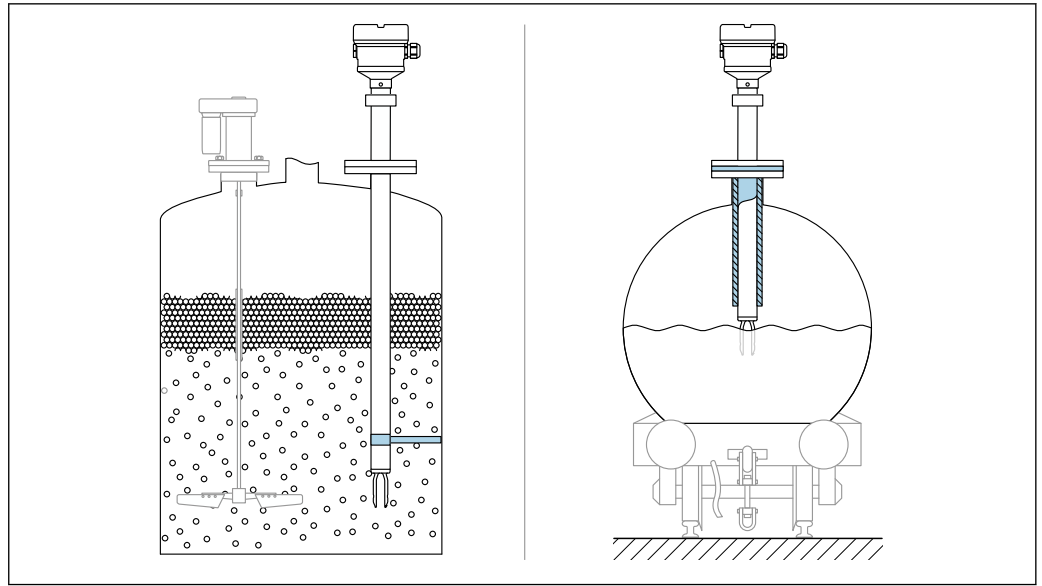
#### Support the device

##### NOTICE

**If the device is supported incorrectly, shocks and vibrations can damage the coated surface.**

- Use suitable supports only.

Support the device in the event of severe dynamic load. Maximum lateral loading capacity of the pipe extensions and sensors: 75 Nm (55 lbf ft).



16 Examples of support in the event of dynamic load

**i** Marine approval: In the case of pipe extensions or sensors longer than 1 600 mm (63 in), a support is needed at least every 1 600 mm (63 in).

**Sliding sleeves**

**A** For more details, see the "Accessories" section.

## Environment

**Ambient temperature range**

The following values apply up to a process temperature of +90 °C (+194 °F). At higher process temperatures, the permitted ambient temperature is reduced (see diagram).

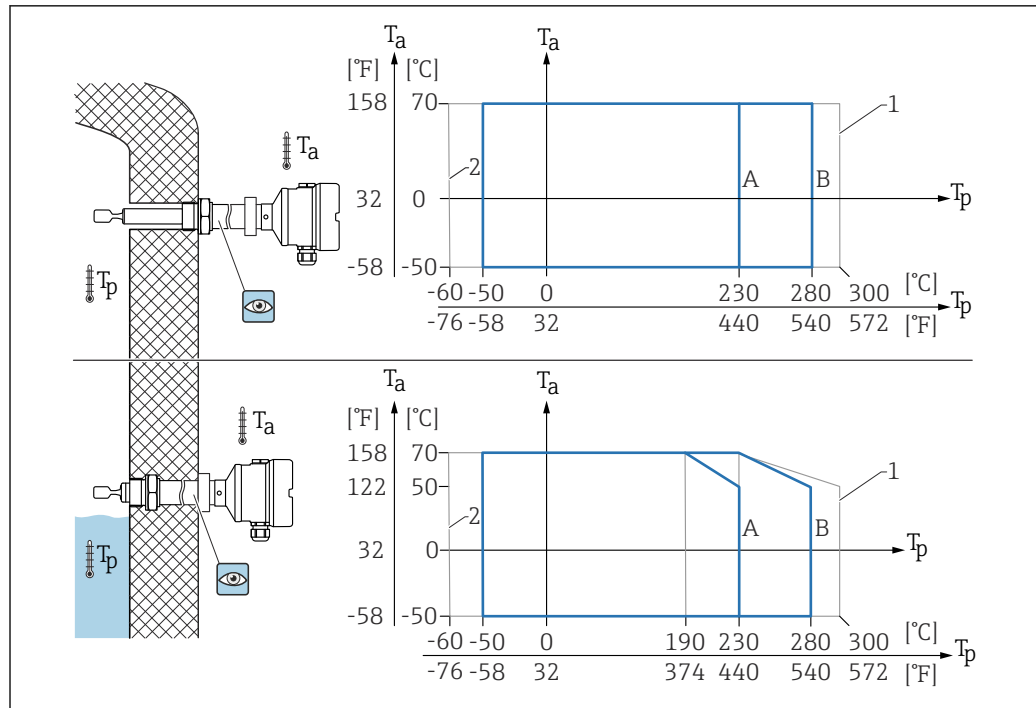
- Without LCD display: -40 to +70 °C (-40 to +158 °F)
  - With LCD display: -40 to +70 °C (-40 to +158 °F) with limitations in optical properties, such as display speed and contrast
- Can be used without limitations: -20 to +60 °C (-4 to +140 °F)

Optionally available to order:

- -50 °C (-58 °F) with restricted operating life and performance
  - -60 °C (-76 °F) with restricted operating life and performance,
- i** Below -50 °C (-58 °F): measuring instruments can be permanently damaged

Outdoor operation in strong sunlight:

- Mount the device in a shaded location
- Avoid direct sunlight, particularly in warmer climatic regions
- Use a protective cover, can be ordered as an accessory



A0046917

17 Permitted ambient temperature  $T_a$  at the housing as a function of the process temperature  $T_p$  in the vessel

- A 230 °C (446 °F) sensor  
 B 280 °C (536 °F) sensor  
 1 Max. 50 h on cumulative basis  
 2 Only for ATEX and CSA certificates


### Hazardous area



In the hazardous area, the permitted ambient temperature can be limited depending on the zones and gas groups. Pay attention to the information in the Ex documentation (XA).

<b>Storage temperature</b>	-40 to +80 °C (-40 to +176 °F) Optional -50 °C (-58 °F) or -60 °C (-76 °F)
<b>Humidity</b>	Operation up to 100 %. Do not open in a condensing atmosphere.
<b>Operating height</b>	Up to 5 000 m (16 404 ft) above sea level.
<b>Climate class</b>	As per IEC 60068-2-38 test Z/AD
<b>Degree of protection</b>	Test as per IEC 60529 and NEMA 250 IP68 test condition: 1.83 m H <sub>2</sub> O for 24 h
<b>Housing</b> See cable entries	
<b>Cable entries</b>	
<ul style="list-style-type: none"> <li>▪ M20 threaded joint, plastic, IP66/68 NEMA Type 4X/6P</li> <li>▪ M20 threaded joint, nickel-plated brass, IP66/68 NEMA Type 4X/6P</li> <li>▪ M20 threaded joint, 316L, IP66/68 NEMA Type 4X/6P</li> <li>▪ M20 thread, IP66/68 NEMA Type 4X/6P</li> <li>▪ Thread G ½, NPT ½, IP66/68 NEMA Type 4XXX</li> </ul>	
Degree of protection for M12 plug	
<ul style="list-style-type: none"> <li>▪ When housing is closed and connecting cable is plugged in: IP66/67 NEMA Type 4X</li> <li>▪ When housing is open or connecting cable is not plugged in: IP20, NEMA Type 1</li> </ul>	


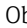



**NOTICE****M12 plug: Loss of IP protection class due to incorrect installation!**

- ▶ The degree of protection only applies if the connecting cable used is plugged in and screwed tight.
- ▶ The degree of protection only applies if the connecting cable used is specified according to IP67 NEMA Type 4X.

 If the "M12 plug" option is selected as the electrical connection, **IP66/67 NEMA Type 4X** applies for all housing types.

<b>Vibration resistance</b>	As per IEC60068-2-64-2008 a(RMS) = 50 m/s <sup>2</sup> , f = 5 to 2000 Hz, t = 3 axes x 2 h
<b>Shock resistance</b>	In accordance with IEC60068-2-27-2008: 300 m/s <sup>2</sup> [= 30 g <sub>n</sub> ] + 18 ms g <sub>n</sub> : standard acceleration of gravity
<b>Mechanical load</b>	Support the device in the event of severe dynamic load. Maximum lateral loading capacity of the pipe extensions and sensors: 75 Nm (55 lbf ft).  For more details, see the "Supporting the device" section.
<b>Pollution degree</b>	Pollution level 2
<b>Electromagnetic compatibility (EMC)</b>	<ul style="list-style-type: none"> <li>▪ Electromagnetic compatibility as per EN 61326 series and NAMUR recommendation EMC (NE21)</li> <li>▪ With regard to the safety function (SIL), the requirements of EN 61326-3-x are satisfied</li> <li>▪ Maximum deviation under disturbance: &lt; 0.5% of span</li> </ul> <p> For more details, refer to the EU Declaration of Conformity.</p>

## Process

<b>Process temperature range</b>	<ul style="list-style-type: none"> <li>▪ -60 to +230 °C (-76 to +446 °F)</li> <li>▪ -60 to +280 °C (-76 to +536 °F)/to 300 °C (572 °F) for max. 50 h on cumulative basis</li> <li>▪ -50 to +230 °C (-58 to +446 °F) with PFA coating (conductive)</li> </ul> <p> The device can be ordered for use in very aggressive media with a highly corrosion-resistant PFA coating. At medium temperatures up to ≥ 150 °C (302 °F), pay attention to the chemical durability and the increasing risk of damage to the coating from diffusion.</p> <p>Observe pressure and temperature dependency,  see the "Process pressure range of the sensors" section.</p>
<b>Medium conditions</b>	The service life of the device can be impacted in applications where increased hydrogen diffusion through the metallic membrane can be expected. Typical conditions from which hydrogen diffusion is relevant: <ul style="list-style-type: none"> <li>▪ Temperature: &gt; 180 °C (356 °F)</li> <li>▪ Increasing process pressures accelerate hydrogen diffusion</li> </ul>
<b>Thermal shock</b>	Without restrictions within the process temperature range.  With PFA coating (conductive): ≤ 120 K/s
<b>Process pressure range</b>	<p> <b>WARNING</b></p> <p><b>The maximum pressure for the device depends on the lowest-rated element, with regard to pressure, of the selected component. This means that it is necessary to pay attention to the process connection as well as the sensor.</b></p> <ul style="list-style-type: none"> <li>▶ Pressure specifications,  Technical Information, "Mechanical construction" section.</li> <li>▶ Only operate the device within the specified limits!</li> <li>▶ The Pressure Equipment Directive (2014/68/EU) uses the abbreviation "PS". The abbreviation "PS" corresponds to the MWP (maximum working pressure) of the device.</li> </ul>

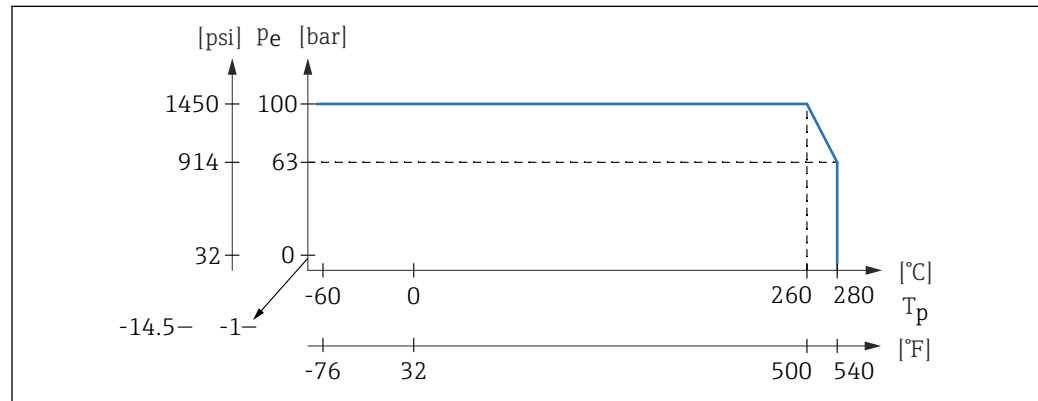
Refer to the following standards for the permitted pressure values of the flanges at higher temperatures:

- pR EN 1092-1: With regard to its stability-temperature property, the material 1.4435 is identical to 1.4404, which is classed as 13E0 in EN 1092-1 Tab. 18. The chemical composition of the two materials can be identical.
- ASME B 16.5
- JIS B 2220

In each case, the lowest value from the derating curves of the device and the selected flange applies.

**i** Devices with CRN approval: maximum 90 bar (1 305 psi) for devices with a pipe extension  
Information on the Endress+Hauser website: [www.endress.com](http://www.endress.com) → Downloads.

#### Process pressure range of the sensors



A0042363

Ordering information: Product Configurator, feature "Application":

- PN: max. 100 bar (1 450 psi) max. 230 °C (446 °F)
- PN: max. 100 bar (1 450 psi) max. 280 °C (536 °F)
- With PFA coating (conductive): max. 40 bar (580 psi) max. 230 °C (446 °F)

#### Overpressure limit

- Overpressure limit = 1.5 · PN  
Maximum 100 bar (1 450 psi) at 230 °C (446 °F) and 280 °C (536 °F)
- Membrane burst pressure at 200 bar (2 900 psi)

The device function is limited during the pressure test.

Mechanical integrity is guaranteed up to 1.5 times the process nominal pressure PN.

#### Medium density

##### Liquids with density > 0.7 g/cm<sup>3</sup> (43.7 lb/ft<sup>3</sup>)

Setting > 0.7 g/cm<sup>3</sup> (43.7 lb/ft<sup>3</sup>), as supplied to the customer

##### Liquids with density 0.5 g/cm<sup>3</sup> (31.2 lb/ft<sup>3</sup>)

Setting > 0.5 g/cm<sup>3</sup> (31.2 lb/ft<sup>3</sup>), can be ordered as preset value or configurable

##### Liquids with density > 0.4 g/cm<sup>3</sup> (25.0 lb/ft<sup>3</sup>)

- Setting > 0.4 g/cm<sup>3</sup> (25.0 lb/ft<sup>3</sup>), can be ordered as preset value or configurable
- SIL for defined media and process parameters on request

**i** For information on medium differentiation/density detection: Documentation Liquiphant density (FEL60D) with density computer FML621 (Endress+Hauser website [www.endress.com](http://www.endress.com) → Downloads)

#### Viscosity

≤ 10 000 mPa·s

#### Pressure tightness

Up to vacuum

**i** In vacuum evaporation plants, select the 0.4 g/cm<sup>3</sup> (25.0 lb/ft<sup>3</sup>) / density setting.

#### Solids contents

∅ ≤ 5 mm (0.2 in)

## Mechanical construction

### Design, dimensions

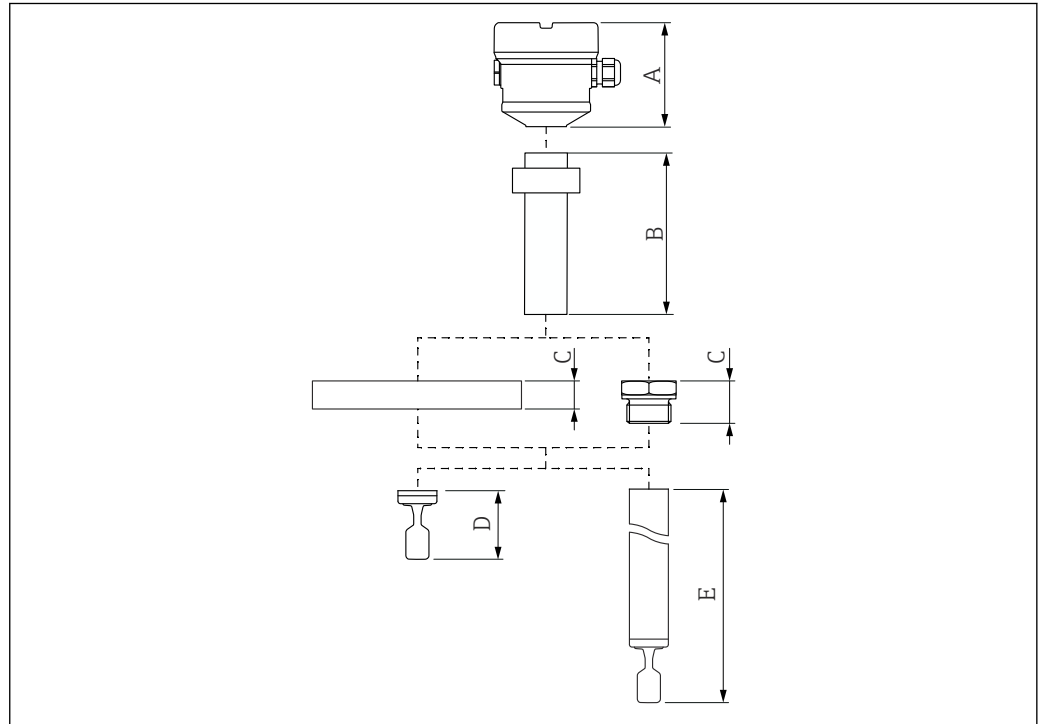
#### Device height

The device height consists of the following components:

- Housing including cover
- Temperature spacer with gas-tight glass feedthrough (second line of defense)
- Compact version or pipe extension
- Process connection

The individual heights of the components can be found in the following sections:

- Determine the height of the device and add the individual heights
- Take the installation clearance into consideration (space that is needed to install the device)



A0042418

18 Components to determine the device height

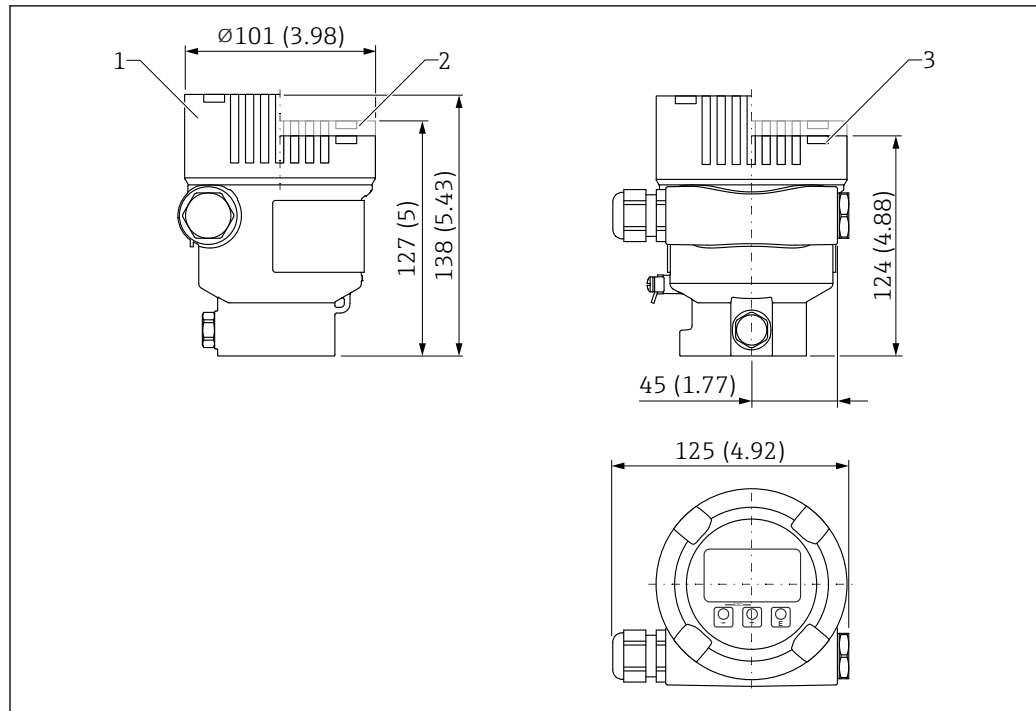
- A Housing including cover
- B Temperature spacer with gas-tight glass feedthrough → 2 lengths available, depending on the process temperature
- C Process connection
- D Probe design: compact version with tuning fork
- E Probe design: pipe extension with tuning fork

### Dimensions

#### Housing and cover

All housings can be aligned. The housing alignment can be fixed on housings with a locking screw.

Single-compartment housing, aluminum, coated

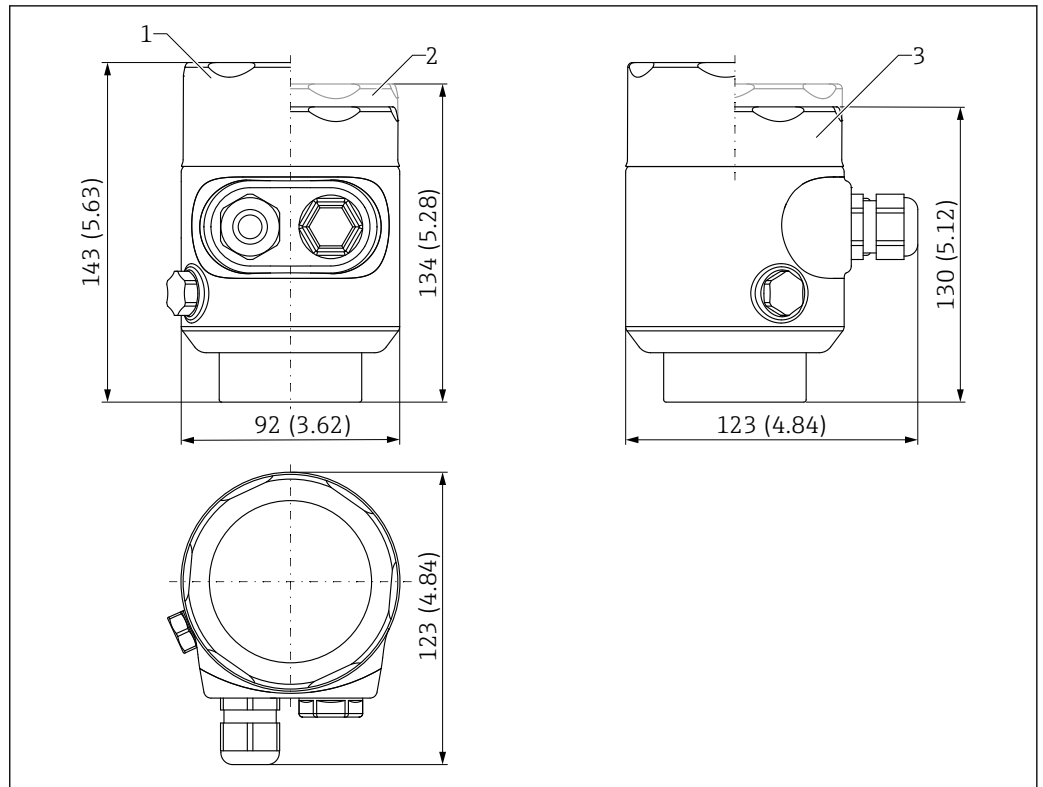


A0051701

19 Dimensions of single-compartment housing, aluminium, coated. Unit of measurement mm (in)

- 1 Height with cover comprising glass sight glass (devices for Ex d/XP, dust Ex)
- 2 Height with cover comprising plastic sight glass
- 3 Height with cover without sight glass

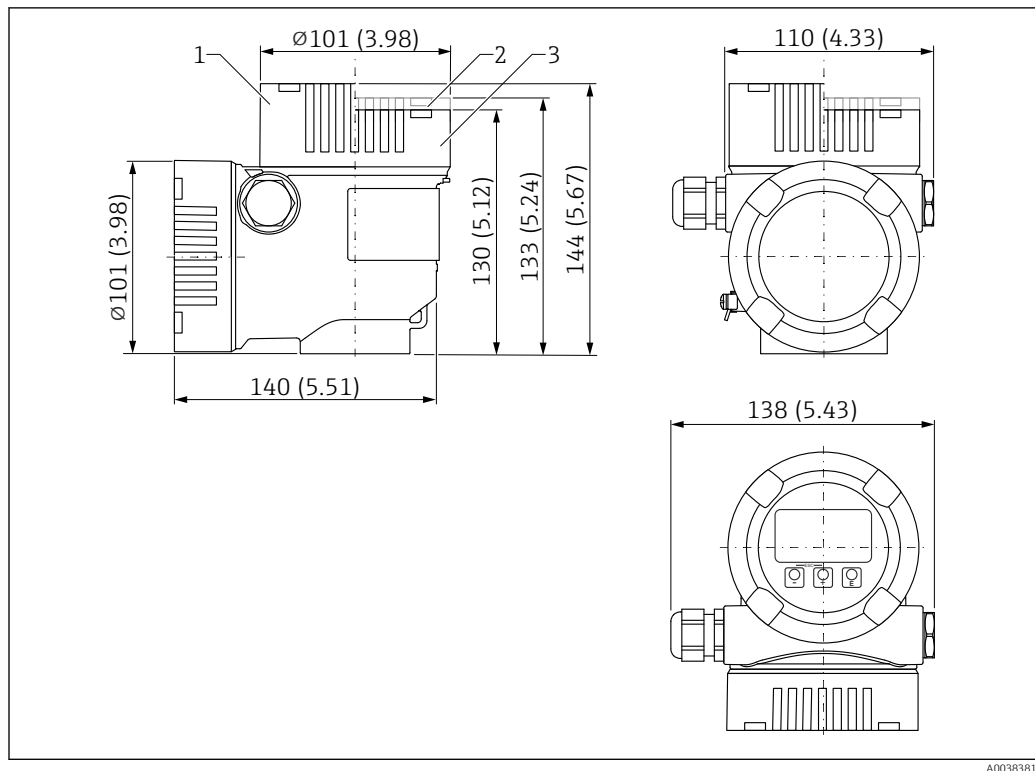
Single-compartment housing, 316L, hygienic



20 Dimensions of single-compartment housing, 316 L, hygienic. Unit of measurement mm (in)

- 1 Height with cover comprising sight glass made of glass
- 2 Height with cover comprising plastic sight glass
- 3 Height with cover without sight glass

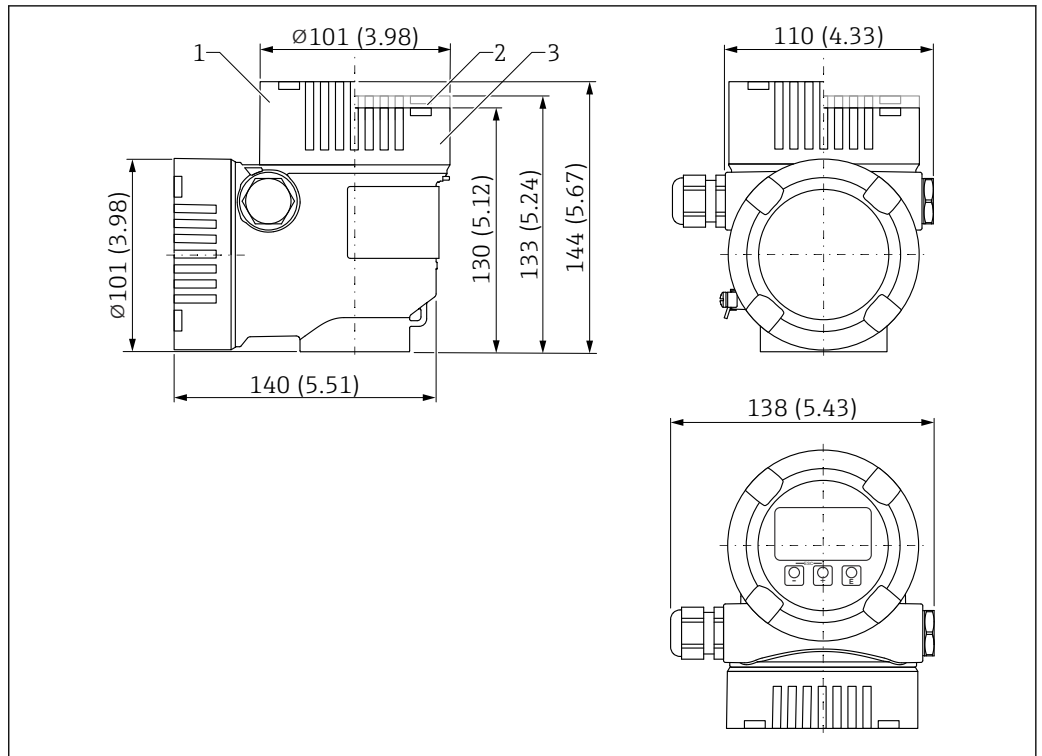
Dual-compartment housing, L-form, aluminum, coated



21 Dimensions; dual-compartment housing, L-form, aluminum, coated. Unit of measurement mm (in)

- 1 Height with cover comprising glass sight glass (devices for Ex d/XP, dust Ex)
- 2 Height with cover comprising plastic sight glass
- 3 Cover without sight glass

Dual-compartment housing, L-form, 316 L

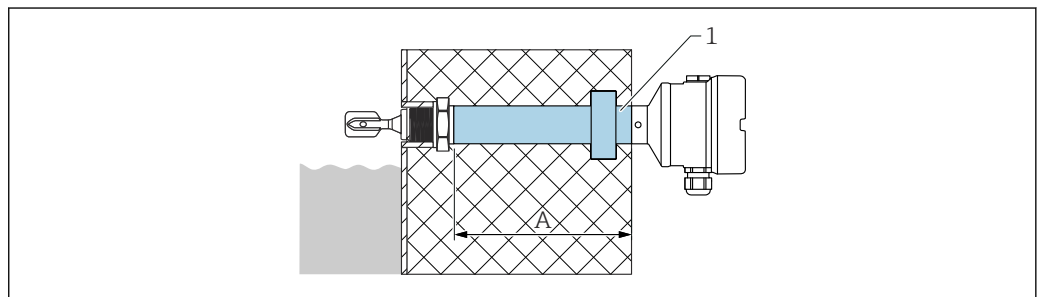


22 Dimensions; L-form dual-compartment housing, 316 L. Unit of measurement mm (in)

- 1 Height with cover comprising glass sight glass (devices for Ex d/XP, dust Ex)
- 2 Height with cover comprising plastic sight glass
- 3 Cover without sight glass

Temperature spacer

- Provides sealed insulation for the vessel and a normal ambient temperature for the housing.
- If the sensor is damaged, protects the housing from vessel pressures up to 100 bar (1 450 psi)



23 Temperature spacer with gas-tight glass feedthrough

- 1 Temperature spacer with pressure-tight glass feedthrough with maximum insulation length
- A 2 lengths available depending on the process temperature

Product Configurator, "Application" feature:

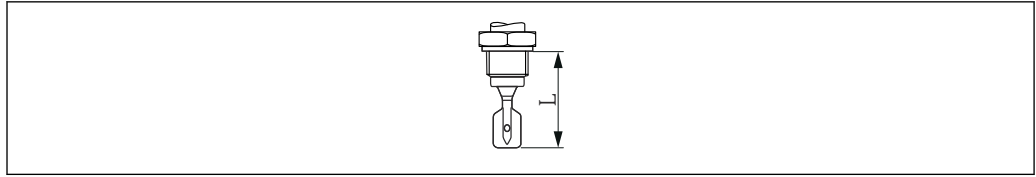
- 230 °C (446 °F): approx. 160 mm (6.3 in)
- 280 °C (536 °F): approx. 200 mm (7.87 in)
- PFA (conductive) 230 °C (446 °F): approx. 160 mm (6.3 in)

Probe design

Compact version

Sensor length L: depends on process connection

For further details, see the "Process connections" section.

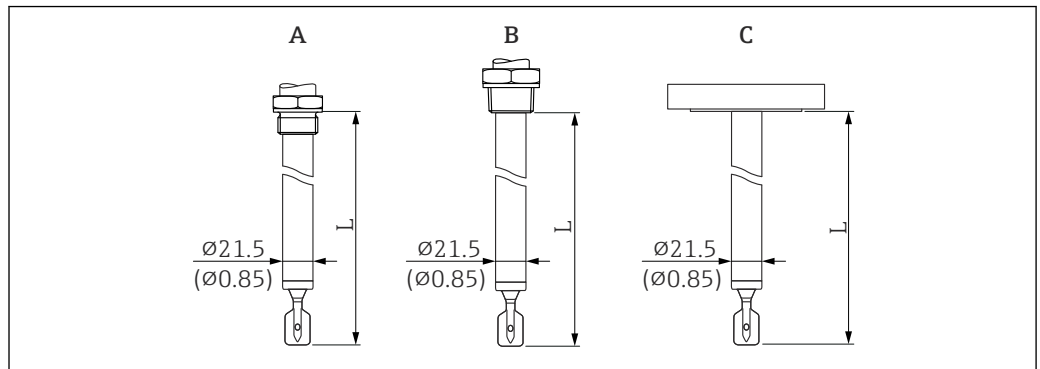


A0042435

24 Probe design: compact version, sensor length L

### Pipe extension

- Material: 316L, sensor length L: 148 to 3 000 mm (5.83 to 118.11 in)
- Material: Alloy C22, sensor lengths L: 148 to 3 000 mm (5.83 to 118.11 in)
- Material: 316L substrate material coated with PFA (conductive), sensor lengths L: 148 to 3 000 mm (5.83 to 118.11 in)
- Only available with flange as a process connection.
- Length tolerances L:
  - < 1 m (3.3 ft) = -5 mm (-0.2 in)
  - 1 to 3 m (3.3 to 9.8 ft) = (-10 mm (-0.39 in))
  - 3 to 6 m (9.8 to 20 ft) = -20 mm (-0.79 in) (on request)

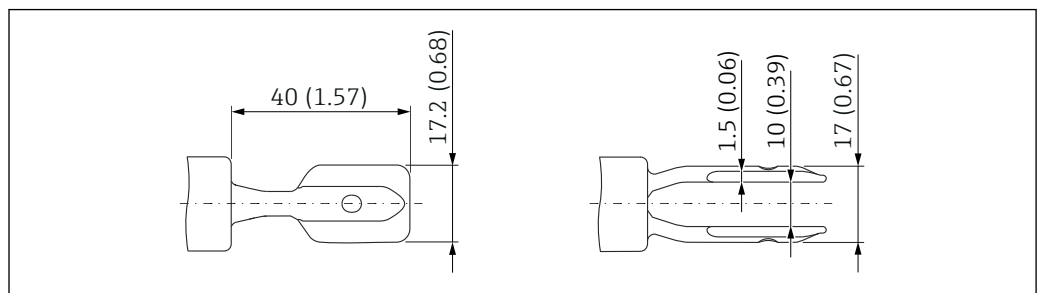


A0042431

25 Pipe extension (sensor length L). Unit of measurement mm (in)

- A G 3/4, G 1  
 B NPT 3/4, NPT 1, R 3/4, R 1  
 C Flange

### Tuning fork



A0038269

26 Tuning fork. Unit of measurement mm (in)

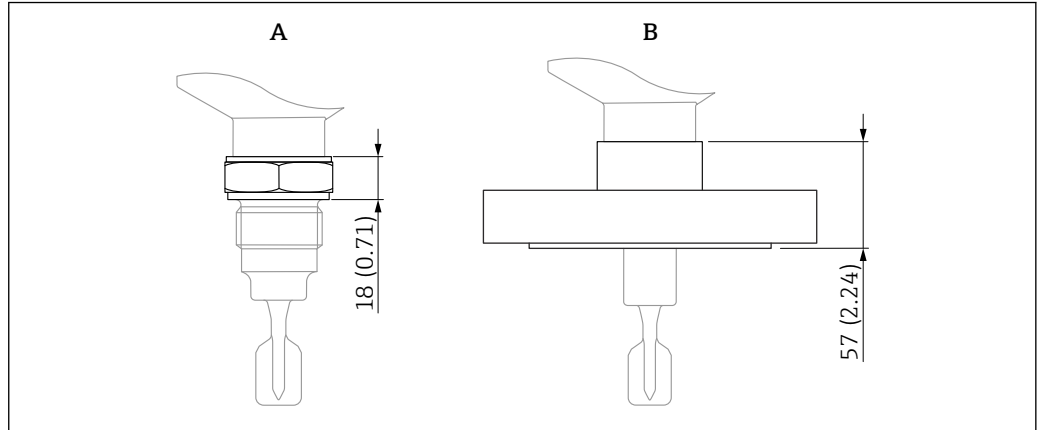
### Process connections

#### Process connection, sealing surface

- Thread ISO228, G
- Thread ASME B1.20.1, NPT
- Thread EN10226, R
- Flange ASME B16.5, RF (Raised Face)
- Flange ASME B16.5, FF (Flat Face)
- Flange ASME B16.5, RTJ (Ring Type Joint)

- Flange EN1092-1, Form A
- Flange EN1092-1, Form B1
- Flange EN1092-1, Form C
- Flange EN1092-1, Form D
- Flange EN1092-1, Form E
- Flange JIS B2220, RF (Raised Face)
- Flange HG/T20592, RF (Raised Face)
- Flange HG/T20615, RF (Raised Face)
- Flange HG/T20615, RJ (Ring Joint)

*Height of process connection*



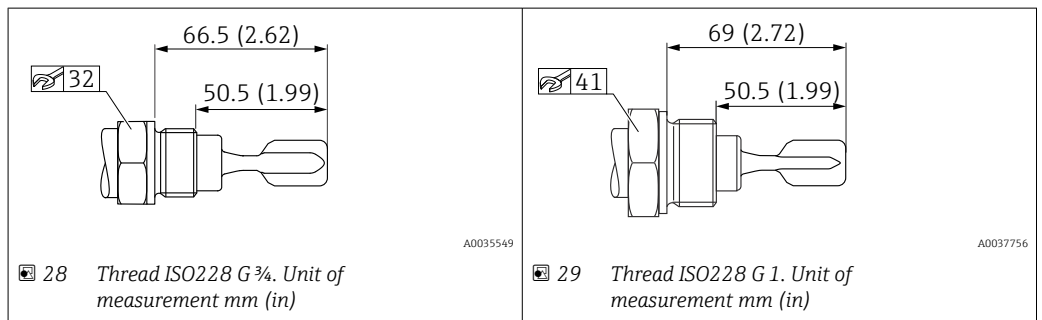
27 Maximum height specification for the process connections

- A Process connection with threaded connection
- B Process connection with flange

*Thread ISO228 G*

G 3/4, G 1

- Material: 316L
- Pressure rating: ≤ 100 bar (1 450 psi)
- Temperature: ≤ 280 °C (536 °F)
- Weight G 3/4: 0.2 kg (0.44 lb)
- Weight G 1: 0.33 kg (0.73 lb)

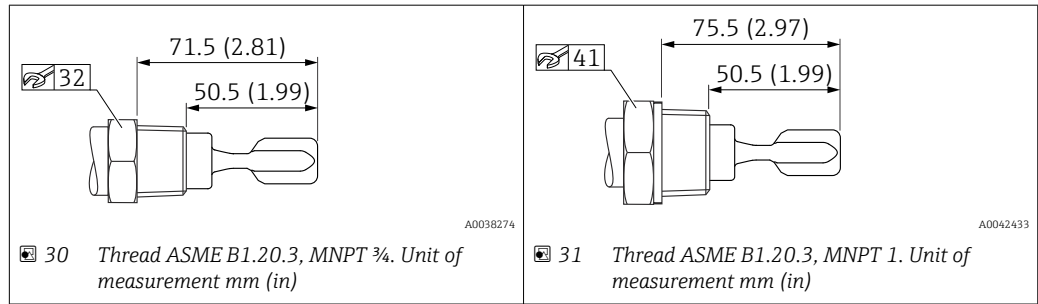


28 Thread ISO228 G 3/4. Unit of measurement mm (in)

29 Thread ISO228 G 1. Unit of measurement mm (in)

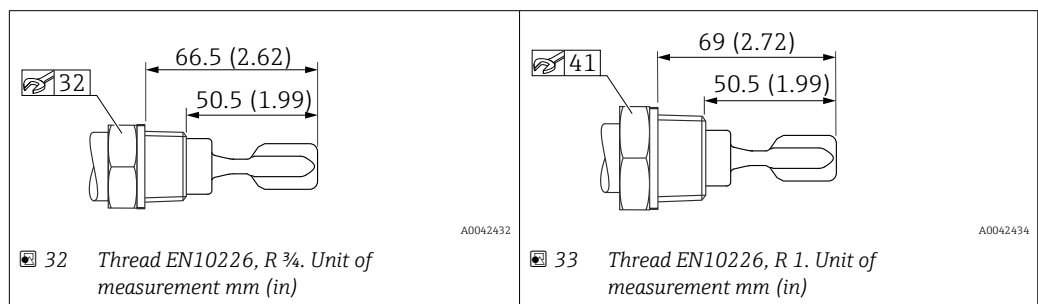
*Thread ASME B1.20.3, MNPT*

- Material: 316L
- Pressure rating: ≤ 100 bar (1 450 psi)
- Temperature: ≤ 280 °C (536 °F)
- Weight: 0.3 kg (0.66 lb)



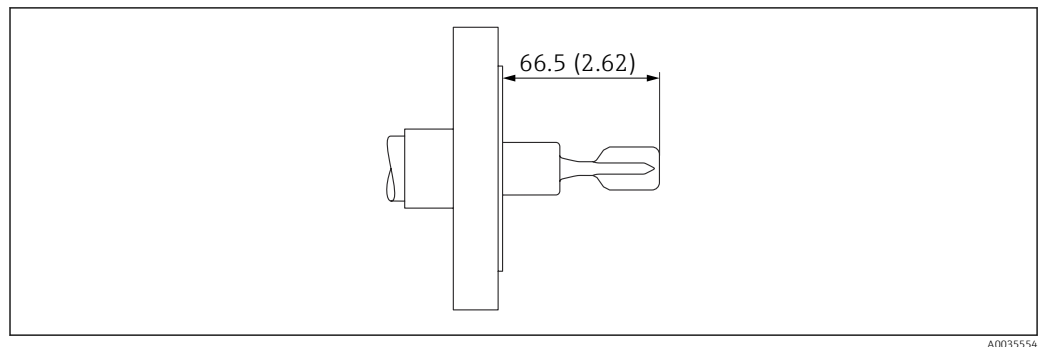
*Thread EN10226, R*

- Material: 316L
- Pressure rating: ≤ 100 bar (1 450 psi)
- Temperature: ≤ 280 °C (536 °F)
- Weight: 0.3 kg (0.66 lb)



*Flanges*

AlloyC22-plated flanges are available for higher chemical resistance.  
The flange carrier material is made of 1.4462 and is welded to an AlloyC22 disk.



**i** In the event of high temperatures: pay attention to the pressure loading capacity of the flange depending on the temperature!

*ASME B16.5 flanges, RF*

Pressure rating	Type	Material	Weight
Cl.150	NPS 1"	316/316L	1.0 kg (2.21 lb)
Cl.150	NPS 1-½"	316/316L	1.5 kg (3.31 lb)
Cl.150	NPS 2"	316/316L	2.4 kg (5.29 lb)
Cl.150	NPS 2"	Alloy C22>1.4462	2.4 kg (5.29 lb)
Cl.150	NPS 3"	316/316L	4.9 kg (10.8 lb)

Pressure rating	Type	Material	Weight
Cl.150	NPS 4"	316/316L	7.0 kg (15.44 lb)
Cl.300	NPS 1-½"	316/316L	2.7 kg (5.95 lb)
Cl.300	NPS 2"	316/316L	3.2 kg (7.06 lb)
Cl.300	NPS 2"	Alloy C22>1.4462	3.2 kg (7.06 lb)
Cl.300	NPS 3"	316/316L	6.8 kg (14.99 lb)
Cl.300	NPS 4"	316/316L	11.5 kg (25.6 lb)
Cl.600	NPS 2"	Alloy C22>1.4462	6.8 kg (14.99 lb)
Cl.600	NPS 2"	316/316L	4.2 kg (9.26 lb)
Cl.600	NPS 3"	316/316L	6.8 kg (14.99 lb)
Cl.600	NPS 4"	316/316L	17.3 kg (38.15 lb)

*ASME B16.5 flanges, FF*

Pressure rating	Type	Material	Weight
Cl.150	NPS 1"	316/316L	1.0 kg (2.21 lb)
Cl.150	NPS 2"	316/316L	2.4 kg (5.29 lb)
Cl.300	NPS 1-½"	316/316L	2.7 kg (5.95 lb)
Cl.300	NPS 2"	316/316L	3.2 kg (7.06 lb)
Cl.300	NPS 4"	316/316L	11.5 kg (25.36 lb)
Cl. 600	NPS 2"	Alloy C22>1.4462	4.2 kg (9.26 lb)
Cl. 600	NPS 2"	316/316L	4.2 kg (9.26 lb)
Cl. 600	NPS 3"	316/316L	6.8 kg (14.99 lb)
Cl. 600	NPS 4"	316/316L	17.3 kg (38.15 lb)

*ASME B16.5 flanges, RTJ*

Pressure rating	Type	Material	Weight
Cl.300	NPS 2"	316/316L	3.2 kg (7.06 lb)
Cl.300	NPS 3"	316/316L	6.8 kg (14.99 lb)
Cl.300	NPS 4"	316/316L	11.5 kg (25.36 lb)
Cl.600	NPS 2"	316/316L	17.3 kg (38.15 lb)

*EN flanges EN 1092-1, A*

Pressure rating	Type	Material	Weight
PN25/40	DN25	316L (1.4404)	1.3 kg (2.87 lb)
PN25/40	DN32	316L (1.4404)	2.0 kg (4.41 lb)
PN25/40	DN40	316L (1.4404)	2.4 kg (5.29 lb)
PN25/40	DN50	316L (1.4404)	3.2 kg (7.06 lb)
PN25/40	DN65	316L (1.4404)	4.3 kg (9.48 lb)
PN25/40	DN80	316L (1.4404)	5.9 kg (13.01 lb)
PN25/40	DN100	316L (1.4404)	7.5 kg (16.54 lb)
PN100	DN50	316L (1.4404)	5.5 kg (12.13 lb)

*EN flanges EN 1092-1, B1*

Pressure rating	Type	Material	Weight
PN10/16	DN50	316L (1.4404)	2.5 kg (5.51 lb)
PN10/16	DN80	316L (1.4404)	4.8 kg (10.58 lb)
PN10/16	DN100	316L (1.4404)	5.2 kg (11.47 lb)
PN25/40	DN25	Alloy C22>1.4462	1.4 kg (3.09 lb)
PN25/40	DN25	316L (1.4404)	1.4 kg (3.09 lb)
PN25/40	DN50	Alloy C22>1.4462	3.2 kg (7.06 lb)
PN25/40	DN50	316L (1.4404)	3.2 kg (7.06 lb)
PN25/40	DN80	316L (1.4404)	5.9 kg (13.01 lb)
PN25/40	DN80	Alloy C22>316L	5.2 kg (11.47 lb)
PN63	DN50	316L (1.4404)	4.5 kg (9.92 lb)

*EN flanges EN 1092-1, E*

Type	Material	Pressure rating	Weight
DN50	316L (1.4404)	PN25/40	3.2 kg (7.06 lb)

*JIS flanges B2220*

Pressure rating	Type	Material	Weight
20K	20K 50A	316L (1.4404)	1.9 kg (4.19 lb)

**Weight****Housing**

Weight including electronics and display (graphic display):

**Single compartment housing**

- Aluminum, coated: 1.2 kg (2.65 lb)
- 316L, hygienic: 1.2 kg (2.65 lb)

**Dual compartment housing, L-form**

- Aluminum, coated: 1.7 kg (3.75 lb)
- 316L: 4.3 kg (9.48 lb)

**Gas-tight feedthrough**

0.2 kg (0.44 lb)

**Probe length (Ra < 3.2 µm/126 µin)**

- 1 000 mm: 0.9 kg (1.98 lb)
- 100 in: 2.3 kg (5.07 lb)

**Pipe extension**

- 1 000 mm: 0.9 kg (1.98 lb)
- 50 in: 1.15 kg (2.54 lb)

**Process connection**

See "Process connections" section

**Protective cover, plastic**

0.2 kg (0.44 lb)

**Protective cover, 316L**

0.93 kg (2.05 lb)

**Materials****Materials in contact with process***Process connection and pipe extension*

316L (1.4435 or 1.4404)

- Optional Alloy C22 (2.4602)
- Optional PFA coating (conductive)
- G ¾, G 1 according to DIN ISO 228/I, flat seal according to DIN 7603, at installation location
- R ¾, R 1 according to DIN 2999 Part 1
- ¾ -14 NPT, 1 - 1½ NPT according to ANSI B 1.20.1

*Tuning fork*

S31803 (1.4462)


- Optional Alloy C22 (2.4602)
- Optional PFA coating (conductive)

*Flanges*

- 316L (1.4404)
  - Optional PFA coating (conductive)
  - Flange plating: Alloy C22
- Flanges (standard specifications → Product Configurator)
  - according to EN/DIN from DN 25
  - according to ANSI B16.5 from 1"
  - according to JIS B 2220 (RF)

**Materials not in contact with process***Single compartment housing, aluminum, coated*

- Housing: aluminum EN AC 43400
- Housing coating, cover: polyester
- EN AC-43400 aluminum cover with Lexan 943A PC sight glass
- EN AC-443400 aluminum cover with borosilicate sight glass; dust-Ex for Ex d/XP
- Dummy cover: aluminum EN AC 43400
- Cover sealing materials: HNBR
- Cover sealing materials: FVMQ (in low temperature version only)
- Potential equalization: 316L
- Seal under potential equalization: EPDM
- Plug: PBT-GF30-FR or aluminum
- Plug sealing material: EPDM
- Nameplate: plastic foil
- TAG plate: plastic foil, stainless steel or provided by the customer

 The cable entry (material: Stainless steel, nickel-plated brass, plastic) can be ordered via the "Electrical connection" product structure.

*Single compartment housing, 316L, hygienic*

- Housing: stainless steel 316 L (1.4404)
- Dummy cover: stainless steel 316 L (1.4404)
- Cover stainless steel 316 L (1.4404) with PC Lexan 943A sight glass
- Cover stainless steel 316 L (1.4404) with borosilicate sight glass; can optionally be ordered as a mounted accessory
- Cover sealing materials: VMQ
- Potential equalization: 316L
- Seal under potential equalization: EPDM
- Plug: PBT-GF30-FR or stainless steel
- Plug sealing material: EPDM
- Nameplate: stainless steel housing labeled directly
- TAG plate: plastic foil, stainless steel or provided by the customer

 The cable entry (material: Stainless steel, nickel-plated brass, plastic) can be ordered via the "Electrical connection" product structure.

*Dual compartment housing, L-shaped, aluminum, coated*

- Housing: aluminum EN AC 43400
- Housing coating, cover: polyester
- EN AC-43400 aluminum cover with Lexan 943A PC sight glass  
EN AC-443400 aluminum cover with borosilicate sight glass; dust-Ex for Ex d/XP
- Dummy cover: aluminum EN AC 43400
- Cover sealing materials: HNBR
- Cover sealing materials: FVMQ (in low temperature version only)
- Potential equalization: 316L
- Seal under potential equalization: EPDM
- Plug: PBT-GF30-FR or aluminum
- Plug sealing material: EPDM
- Nameplate: plastic foil
- TAG plate: plastic foil, stainless steel or provided by the customer



The cable entry (material: Stainless steel, nickel-plated brass, plastic) can be ordered via the "Electrical connection" product structure.

*Dual compartment housing, L-shaped, 316 L*

- Housing: stainless steel AISI 316L (1.4409)  
Stainless steel (ASTM A351 : CF3M (cast equivalent to AISI 316L material)/DIN EN 10213 : 1.4409)
- Dummy cover: stainless steel AISI 316L (1.4409)
- Cover: stainless steel AISI 316L (1.4409) with borosilicate sight glass
- Cover sealing materials: HNBR
- Cover sealing materials: FVMQ (in low temperature version only)
- Potential equalization: 316L
- Seal under potential equalization: EPDM
- Plug: stainless steel
- Plug sealing material: EPDM
- Nameplate: stainless steel
- TAG plate: plastic foil, stainless steel or provided by the customer



The cable entry (material: Stainless steel, nickel-plated brass, plastic) can be ordered via the "Electrical connection" product structure.

*Wired-on nameplate*

- Stainless steel
- Plastic film
- Provided by customer
- RFID tag: polyurethane potting compound

*Electrical connection***Coupling M20, plastic**

- Material: PA
- Seal on cable gland: EPDM
- Dummy plug: plastic

**Coupling M20, nickel-plated brass**

- Material: nickel-plated brass
- Seal on cable gland: EPDM
- Dummy plug: plastic

**Coupling M20, 316L**

- Material: 316L
- Seal on cable gland: EPDM
- Dummy plug: plastic

**M20 thread**

The device is supplied with M20 thread as standard.

Transport plug: LD-PE

**Thread G ½**

The device is supplied with an M20 thread as standard and an adapter to G½ including documentation is included.

- Adapter made of PA66-GF or aluminum or 316L (depends on housing version ordered)
- Transport plug: LD-PE

**NPT ½ thread**

The device is supplied with an NPT½ thread as standard (aluminum housing, 316L housing) or with an M20 thread and an adapter to NPT½ including documentation (plastic housing, hygienic housing).

- Adapter made of PA66-GF or 316L (depends on housing version ordered)
- Transport plug: LD-PE

**M12 plug**

- Material: nickel-plated CuZn or 316L (depends on housing version ordered)
- Transport cap: LD-PE

**Surface roughness**

The surface roughness of the surface in contact with the process is  $Ra \leq 3.2 \mu\text{m}$  (126  $\mu\text{in}$ ).

---

## Display and user interface

**Operating concept****Operator-oriented menu structure for user-specific tasks**

- Guidance
- Diagnostics
- Application
- System

**Fast and safe commissioning**

- Interactive wizard with graphical user interface for guided commissioning in FieldCare, DeviceCare or DTM, AMS and PDM-based third-party tools or SmartBlue
- Menu guidance with short explanations of the individual parameter functions
- Standardized operation at the device and in the operating tools

**Integrated HistoROM data memory**

- Adoption of data configuration when electronics modules are replaced
- Up to 100 event messages recorded in the device

**Efficient diagnostic behavior increases measurement availability**

- Remedial measures are integrated in plain text
- Diverse simulation options

**Bluetooth (optionally integrated in local display)**

- Quick and easy setup with SmartBlue app or PC with DeviceCare, version 1.07.05 and higher, or FieldXpert SMT70
- No additional tools or adapters required
- Encrypted single point-to-point data transmission (tested by Fraunhofer Institute) and password-protected communication via *Bluetooth*® wireless technology

**Languages**

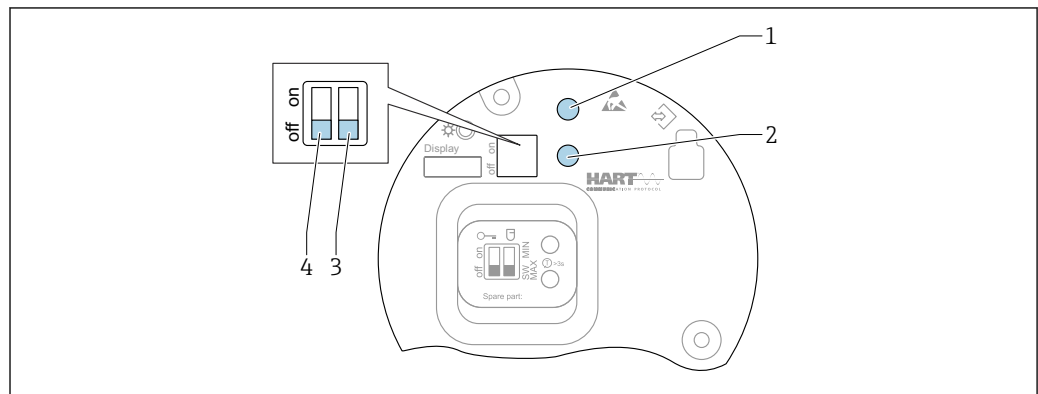
The operating language of the local display (optional) can be selected via the Product Configurator.

If no particular operating language has been selected, the local display is delivered from the factory with English.

The operating language can be changed subsequently via the **Language** parameter.

## Onsite operation

## FEL60H electronic insert



A0046129

35 Operating keys and DIP switch on FEL60H electronic insert

- 1 Operating key for reset password (for Bluetooth login and Maintenanceuser role)
- 1+2 Operating keys for device reset (as-delivered state)
- 2 Operating key for "Proof test" wizard (> 3 s)
- 3 DIP switch for safety function, software-defined (SW, default = MAX) or permanently MIN (in the SW switch position, the MIN or MAX setting is defined by the software. MAX is the default value. In the MIN switch position, the setting is permanently MIN irrespective of the software).
- 4 DIP switch for locking and unlocking the device

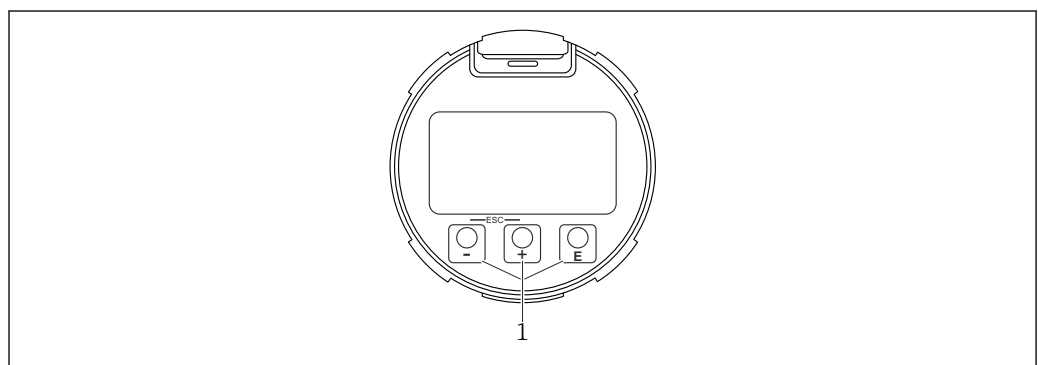
- Minimum/maximum quiescent current safety can be switched at the electronic insert
- MAX = maximum safety: when the tuning fork is covered the output switches to demand mode, e.g. use for overfill protection
- MIN = minimum safety: when the tuning fork is uncovered, the output switches to demand mode, e.g. use to prevent pumps from running dry
- The setting of the DIP switches on the electronic insert has priority over the settings made via other operation methods (e.g. FieldCare/DeviceCare).
  - Density switchover: A density preset can be ordered as an option or configured via display, Bluetooth and HART.

## Local display

## Device display (optional)


Functions:

- Display of measured values and fault and notice messages
- Background lighting, which switches from green to red in the event of an error
- The device display can be removed for easier operation



A0039284

36 Graphic display with optical operating keys (1)

<b>Remote operation</b>	<p><b>Via HART protocol</b></p> <p><b>Via service interface (CDI)</b></p> <p><b>Operation via Bluetooth® wireless technology (optional)</b></p> <p>Prerequisite</p> <ul style="list-style-type: none"> <li>▪ Measuring device with display including Bluetooth</li> <li>▪ Smartphone or tablet with Endress+Hauser SmartBlue app or PC with DeviceCare from version 1.07.05 or FieldXpert SMT70</li> </ul> <p>The connection has a range of up to 25 m (82 ft). The range can vary depending on environmental conditions such as attachments, walls or ceilings.</p> <p> The operating keys on the display are locked as soon as the device is connected via Bluetooth.</p>
<b>System integration</b>	<p><b>HART</b></p> <p>Version 7</p>
<b>Supported operating tools</b>	<p>Smartphone or tablet with Endress+Hauser SmartBlue app, DeviceCare from version 1.07.05, FieldCare, DTM, AMS and PDM</p>
<b>HistoROM data management</b>	<p>When replacing the electronic insert, the stored data is transferred by reconnecting the HistoROM. The device serial number is saved in the HistoROM. The electronics serial number is saved in the electronics.</p>

## Certificates and approvals

Current certificates and approvals for the product are available at [www.endress.com](http://www.endress.com) on the relevant product page:

1. Select the product using the filters and search field.
2. Open the product page.
3. Select **Downloads**.

<b>CE mark</b>	<p>The measuring system meets the legal requirements of the applicable EU Directives. These are listed in the corresponding EU Declaration of Conformity together with the standards applied. Endress +Hauser confirms successful testing of the device by affixing to it the CE mark.</p>
<b>RCM marking</b>	<p>The supplied product or measuring system meets the ACMA (Australian Communications and Media Authority) requirements for network integrity, interoperability, performance characteristics as well as health and safety regulations. Here, especially the regulatory arrangements for electromagnetic compatibility are met. The products bear the RCM marking on the nameplate.</p>



A0029561

<b>Ex-approval</b>	<p>All data relating to explosion protection are provided in separate Ex documentation and are available from the Downloads Area. The Ex documentation is supplied as standard with all devices approved for use in explosion hazardous areas.</p> <p><b>Explosion-protected smartphones and tablets</b></p> <p>If used in hazardous areas, mobile end devices with an Ex approval must be used.</p>
<b>Overfill protection</b>	<p>Before mounting the device, observe the documentation from the WHG approvals (German Federal Water Act).</p>

Approved for overfill protection and leakage detection.



Product Configurator: feature "Additional approval"

#### Corrosion test

Standards and test methods:

- 316L: ASTM A262 Practice E and ISO 3651-2 Method A
- Alloy C22 and Alloy C276: ASTM G28 Practice A and ISO 3651-2 Method C
- 22Cr duplex, 25Cr duplex: ASTM G48 Practice A or ISO 17781 and ISO 3651-2 Method C

The corrosion test is confirmed for all wetted and pressure-bearing parts.

A 3.1 material certificate must be ordered as confirmation of the test.

#### Additional information



**Difference in wetted materials between the tuning fork and pipe extension:**

- Tuning fork: S31803 (1.4462)
- Pipe extension: 316L (1.4435)

With regard to the different materials of the tuning fork and pipe extension, the corrosion test is based on the material of the pipe extension 316L (1.4435).

#### General material compliance

Endress+Hauser guarantees compliance with all relevant laws and regulations, including the current guidelines for materials and substances.

Examples:

- RoHS
- China RoHS
- REACH
- POP VO (Stockholm Convention)

For further information and general declarations of compliance, see the Endress+Hauser website [www.endress.com](http://www.endress.com)

#### Functional safety

The Liquiphant has been developed according to the IEC 61508 standard. The device is suitable for overfill protection and dry-running protection up to SIL 2 (SIL 3 with homogeneous redundancy). A detailed description of the safety functions with Liquiphant, settings and functional safety data are provided in the "Functional Safety Manual" on the Endress+Hauser website: [www.endress.com](http://www.endress.com) → Downloads.



Product Configurator: feature "Additional approval"

Subsequent confirmation of usability according to IEC 61508 is not possible.

#### Radio approval



Further information and currently available documentation can be found on the Endress+Hauser website: [www.endress.com](http://www.endress.com) → Downloads.

#### CRN approval

Versions with a CRN approval (Canadian Registration Number) are listed in the corresponding registration documents. CRN-approved devices are marked with a registration number.

Any restrictions regarding the maximum process pressure values are listed on the CRN certificate.



Product Configurator: feature "Additional approval"

#### Service

- Cleaned of oil+grease (wetted)
- ANSI safety red coating (housing cover)
- Switching delay setting to be spec.
- Setting for MIN safety mode
- Setting for HART burst mode PV
- Setting for max. alarm current
- Preset density > 0.4 g/cm<sup>3</sup> (25.0 lb/ft<sup>3</sup>)
- Preset density > 0.5 g/cm<sup>3</sup> (31.2 lb/ft<sup>3</sup>)
- Bluetooth communication is disabled on delivery

#### Test, certificate, declaration

- Inspection certificate 3.1, EN10204 (material certificate, wetted parts)
- NACE MR0175/ISO 15156 (wetted parts), declaration
- NACE MR0103/ISO 17945 (wetted parts), declaration
- AD 2000 (wetted parts), declaration, excluding cast parts
- ASME B31.3 process piping, declaration

- ASME B31.1 process piping, declaration
- Pressure test, internal procedure, test report
- Helium leak test, internal procedure, test report
- PMI test, internal procedure (wetted parts), test report
- Penetrant testing AD2000-HP5-3 (PT), wetted/pressurized metallic parts, test report
- Penetrant testing ISO23277-1 (PT), wetted/pressurized metallic parts, test report
- Penetrant testing ASME VIII-1 (PT), wetted/pressurized metallic parts, test report
- Welding documentation, wetted/pressurized seams, declaration/ISO/ASME  
Welding documentation consisting of:
  - Welding drawings
  - WPQR (Welding Procedure Qualification Record) according to ISO 14613/ISO14614 or ASME Sect. IX
  - WPS (Welding Procedure Specifications)
  - WQR (Welder Qualification Record)



Documentation currently available on the Endress+Hauser website: [www.endress.com](http://www.endress.com) → Downloads or with the serial number of the device under Online Tools in the Device Viewer.

### Pressure Equipment Directive

#### Pressure equipment with permitted pressure ≤ 200 bar (2 900 psi)

Pressure instruments with a process connection that does not have a pressurized housing do not fall within the scope of the Pressure Equipment Directive, irrespective of the maximum allowable pressure.

#### Reasons:

According to Article 2, point 5 of EU Directive 2014/68/EU, pressure accessories are defined as "devices with an operational function and having pressure-bearing housings".

If a pressure instrument does not have a pressure-bearing housing (no identifiable pressure chamber of its own), there is no pressure accessory present within the meaning of the Directive.

### Process seal as per ANSI/ISA 12.27.01

North American practice for the installation of process seals. In accordance with ANSI/ISA 12.27.01, Endress+Hauser devices are designed as either single seal or dual seal devices with a warning message. This allows the user to waive the use of - and save the cost of installing - an external secondary process seal in the protective conduit as required in ANSI/NFPA 70 (NEC) and CSA 22.1 (CEC). These instruments comply with North American installation practice and allow very safe and cost-effective installation for pressurized applications with hazardous fluids. More information is provided in the Safety Instructions (XA) for the relevant device.



The following housings are approved as single seal devices:  
single compartment, aluminum

### EAC conformity

The measuring system meets the legal requirements of the applicable EAC guidelines. These are listed in the corresponding EAC Declaration of Conformity along with the standards applied.

The manufacturer confirms successful testing of the device by affixing to it the EAC mark.

### ASME B 31.3/31.1

Design and materials in accordance with ASME B31.3/31.1. The welds are through-penetration welded and meet the requirements of the ASME Boiler and Pressure Vessel Code, Section IX and EN ISO 15614-1.

## Ordering information

Detailed ordering information is available from your nearest sales organization [www.addresses.endress.com](http://www.addresses.endress.com) or in the Product Configurator at [www.endress.com](http://www.endress.com):

1. Select the product using the filters and search field.
2. Open the product page.

### 3. Select Configuration.



#### Product Configurator - the tool for individual product configuration

- Up-to-the-minute configuration data
- Depending on the device: Direct input of measuring point-specific information such as measuring range or operating language
- Automatic verification of exclusion criteria
- Automatic creation of the order code and its breakdown in PDF or Excel output format
- Ability to order directly in the Endress+Hauser Online Shop

## TAG

### Measuring point (tag)

The device can be ordered with a tag name.

#### Location of tag name

In the additional specification, select:

- Stainless steel wired-on tag plate
- Paper adhesive label
- Tag provided by the customer
- RFID TAG
- RFID TAG + stainless steel wired-on tag plate
- RFID TAG + paper adhesive label
- RFID TAG + TAG provided by the customer
- IEC61406 stainless steel TAG
- IEC61406 stainless steel TAG + NFC TAG
- IEC61406 stainless steel TAG, stainless steel TAG
- IEC61406 stainless steel TAG + NFC, stainless steel TAG
- IEC61406 stainless steel TAG, plate provided
- IEC61406 stainless steel TAG + NFC, plate provided

#### Definition of tag name

In the additional specification, specify:

3 lines of maximum 18 characters each

The specified tag name appears on the selected plate and/or on the RFID TAG.

#### Visualization in SmartBlue app

The first 32 characters of the tag name

The tag name can always be changed specifically for the measuring point via Bluetooth.

#### Display in electronic nameplate (ENP)

The first 32 characters of the tag name

## Test reports, declarations and inspection certificates

All test reports, declarations and inspection certificates are provided electronically in the *Device Viewer*:

Enter the serial number from the nameplate ([www.endress.com/deviceviewer](http://www.endress.com/deviceviewer))



#### Product documentation on paper

Test reports, declarations and inspection certificates in hard copy can optionally be ordered with feature 570 "Service", Version I7 "Product documentation on paper". The documents are then provided with the device upon delivery.

## Application packages

### Heartbeat Technology module

#### Heartbeat Diagnostics


Continuously monitors and assesses the device condition and process conditions. Generates diagnostic messages when certain events occur and provides troubleshooting measures in accordance with NAMUR NE 107.

#### Heartbeat Verification

Performs a verification of the current device condition on demand and generates the Heartbeat Technology verification report showing the verification result.

#### Heartbeat Monitoring

Continuously provides device and/or process data for an external system. Analysis of this data provides a basis for process optimization and predictive maintenance.

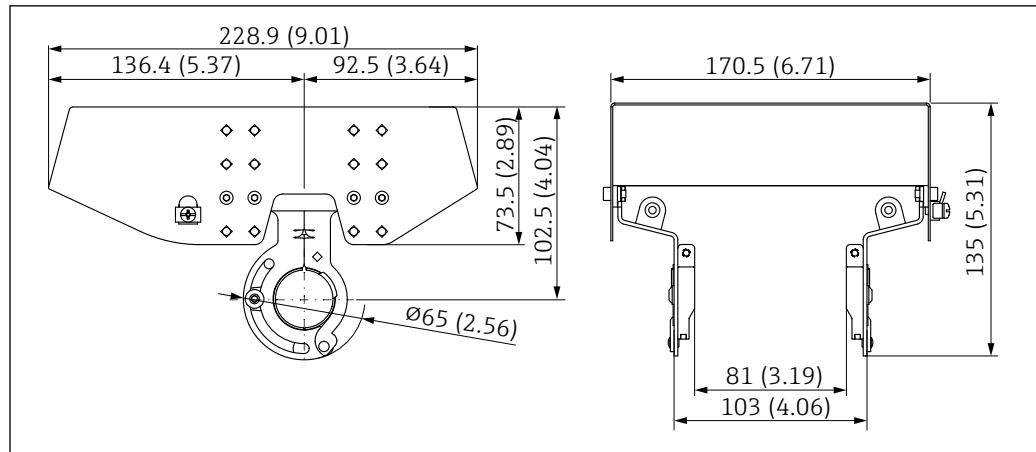
<b>Heartbeat Diagnostics</b>	Diagnostic messages output to: <ul style="list-style-type: none"> <li>▪ the local display</li> <li>▪ an asset management system (e.g. FieldCare or DeviceCare)</li> <li>▪ an automation system (e.g. PLC)</li> </ul>
<b>Heartbeat Verification</b>	<ul style="list-style-type: none"> <li>▪ Device monitoring in installed state without interrupting the process, including report</li> <li>▪ Clear measuring point assessment (Passed/Failed) with high total test coverage within the framework of manufacturer specifications</li> <li>▪ Can be used to document normative requirements</li> </ul> <p>The "Heartbeat Verification" module contains the <b>Heartbeat Verification</b> wizard, which verifies the current instrument health and creates the Heartbeat Technology verification report:</p> <ul style="list-style-type: none"> <li>▪ The <b>Heartbeat Verification</b> wizard can be used via the SmartBlue app</li> <li>▪ The <b>Heartbeat Verification</b> wizard guides the user through the entire process for creating the verification report</li> <li>▪ The operating hours counter, minimum/maximum temperature indicator and minimum/maximum frequency indicator are displayed.</li> <li>▪ If the oscillation frequency of the fork increases, a corrosion warning appears.</li> <li>▪ The order configuration of the oscillation frequency in air is indicated in the verification report.             <ul style="list-style-type: none"> <li>▪ A high oscillation frequency is an indicator of corrosion.</li> <li>▪ A lower oscillation frequency indicates buildup or a sensor covered by the medium.</li> <li>▪ Deviations in the oscillation frequency compared to the oscillation frequency on delivery may be caused by the process temperature and pressure.</li> </ul> </li> <li>▪ Frequency history: Last 16 sensor frequencies that were stored at the time of the Heartbeat Verification</li> </ul>
<b>Heartbeat Monitoring</b>	<ul style="list-style-type: none"> <li>▪ <b>Loop diagnostics</b> wizard: Detection of elevated measuring circuit resistance values or declining power supply</li> <li>▪ <b>Process window</b> wizard: Two frequency limits for monitoring the upper and lower range of the oscillation frequency (can be defined independently of one another). Changes in the process can be identified, e.g. corrosion or buildup.</li> </ul>
<b>Proof testing</b>	<p> The proof test is only available for devices with SIL or WHG approval.</p> <p>A proof test is required at appropriate intervals in the following applications: SIL (IEC61508/IEC61511), WHG (German Water Resources Act).</p> <p>The <b>Proof test</b> wizard is available with the ordered SIL or WHG approval. The wizard guides the user through the entire process for creating the verification report. The verification report can be saved as a PDF file.</p>

## Accessories

**Device Viewer** All the spare parts for the device, along with the order code, are listed in the *Device Viewer* ([www.endress.com/deviceviewer](http://www.endress.com/deviceviewer)).

**Protective cover for aluminum dual compartment housing**

- Material: stainless steel 316L
- Order number: 71438303

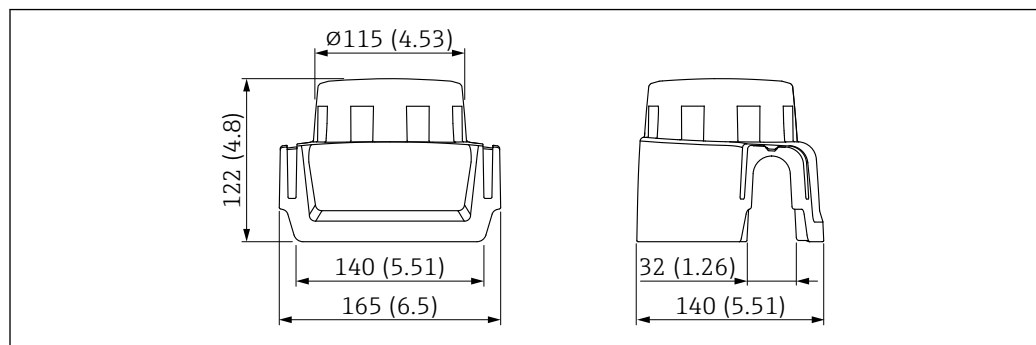


A0039231

37 Protective cover for aluminum dual compartment housing. Unit of measurement mm (in)

#### Protective cover for single compartment housing, aluminum or 316L

- Material: plastic
- Order number: 71438291



A0038280

38 Protective cover for single compartment housing, aluminum or 316L. Unit of measurement mm (in)

#### M12 socket

- i** The M12 sockets listed are suitable for use in the temperature range -25 to +70 °C (-13 to +158 °F).

##### M12 socket IP69

- Terminated at one end
- Angled
- 5 m (16 ft) PVC cable (orange)
- Slotted nut 316L (1.4435)
- Body: PVC
- Order number: 52024216

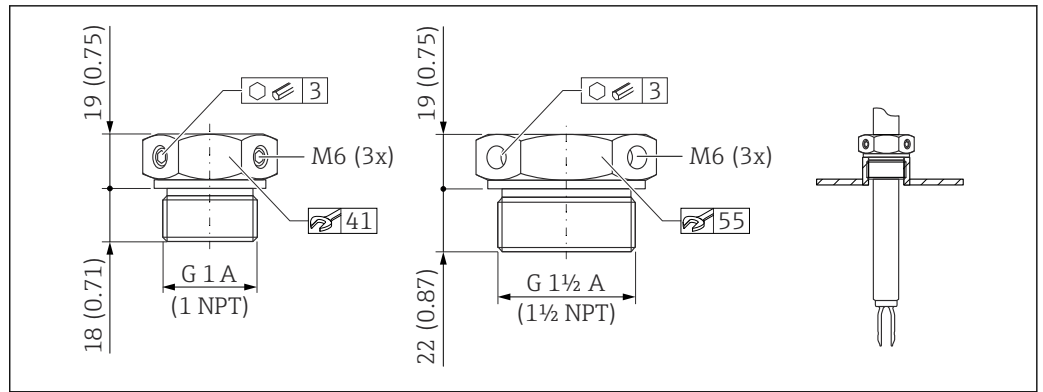
##### M12 socket IP67

- Angled
- 5 m (16 ft) PVC cable (gray)
- Slotted nut Cu Sn/Ni
- Body: PUR
- Order number: 52010285

#### Sliding sleeves for unpressurized operation

- i** Not suitable for devices with PFA (conductive) coating.
- i** Not suitable for use in explosive atmospheres.

Switch point, infinitely adjustable.



A0037666

39 Sliding sleeves for unpressurized operation  $p_e = 0 \text{ bar}$  (0 psi). Unit of measurement mm (in)

G 1, DIN ISO 228/I

- Material: 1.4435 (AISI 316L)
- Weight: 0.21 kg (0.46 lb)
- Order number: 52003978
- Order number: 52011888, approval: with inspection certificate EN 10204 - 3.1 material

NPT 1, ASME B 1.20.1

- Material: 1.4435 (AISI 316L)
- Weight: 0.21 kg (0.46 lb)
- Order number: 52003979
- Order number: 52011889, approval: with inspection certificate EN 10204 - 3.1 material

G 1½, DIN ISO 228/I

- Material: 1.4435 (AISI 316L)
- Weight: 0.54 kg (1.19 lb)
- Order number: 52003980
- Order number: 52011890, approval: with inspection certificate EN 10204 - 3.1 material

NPT 1½, ASME B 1.20.1

- Material: 1.4435 (AISI 316L)
- Weight: 0.54 kg (1.19 lb)
- Order number: 52003981
- Order number: 52011891, approval: with inspection certificate EN 10204 - 3.1 material

More detailed information and documentation are available:

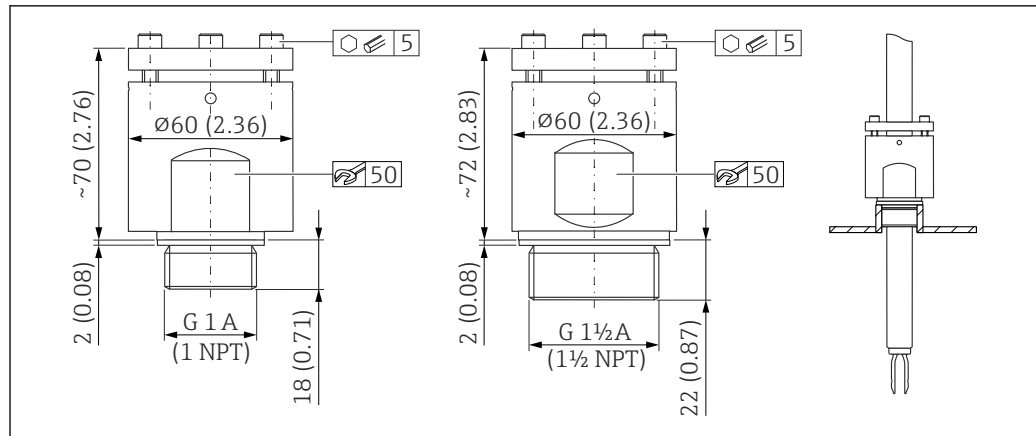
- Product Configurator on the Endress+Hauser website [www.endress.com](http://www.endress.com)
- Endress+Hauser Sales Organization [www.addresses.endress.com](http://www.addresses.endress.com)

High pressure sliding sleeves

**i** Suitable for use in explosive atmospheres.

**i** Not suitable for devices with PFA (conductive) coating.

- Switch point, infinitely adjustable
- Seal package made of graphite
- Graphite seal available as spare part 71078875
- For G 1, G 1½: seal is included in the delivery



40 High pressure sliding sleeves. Unit of measurement mm (in)

G 1, DIN ISO 228/1

- Material: 1.4435 (AISI 316L)
- Weight: 1.13 kg (2.49 lb)
- Order number: 52003663
- Order number: 52011880, approval: with inspection certificate EN 10204 - 3.1 material

G 1, DIN ISO 228/1

- Material: AlloyC22
- Weight: 1.13 kg (2.49 lb)
- Approval: with inspection certificate EN 10204 - 3.1 material
- Order number: 71118691

NPT 1, ASME B 1.20.1

- Material: 1.4435 (AISI 316L)
- Weight: 1.13 kg (2.49 lb)
- Order number: 52003667
- Order number: 52011881, approval: with inspection certificate EN 10204 - 3.1 material

NPT 1, ASME B 1.20.1

- Material: AlloyC22
- Weight: 1.13 kg (2.49 lb)
- Approval: with inspection certificate EN 10204 - 3.1 material
- Order number: 71118694

G 1½, DIN ISO 228/1

- Material: 1.4435 (AISI 316L)
- Weight: 1.32 kg (2.91 lb)
- Order number: 52003665
- Order number: 52011882, approval: with inspection certificate EN 10204 - 3.1 material

G 1½, DIN ISO 228/1

- Material: AlloyC22
- Weight: 1.32 kg (2.91 lb)
- Approval: with inspection certificate EN 10204 - 3.1 material

NPT 1½, ASME B 1.20.1

- Material: 1.4435 (AISI 316L)
- Weight: 1.32 kg (2.91 lb)
- Order number: 52003669
- Order number: 52011883, approval: with inspection certificate EN 10204 - 3.1 material

NPT 1½, ASME B 1.20.1

- Material: AlloyC22
- Weight: 1.32 kg (2.91 lb)
- Approval: with inspection certificate EN 10204 - 3.1 material
- Order number: 71118695

More detailed information and documentation are available:

- Product Configurator on the Endress+Hauser website [www.endress.com](http://www.endress.com)
- Endress+Hauser Sales Organization [www.addresses.endress.com](http://www.addresses.endress.com)

## Documentation



For an overview of the scope of the associated Technical Documentation, refer to the following:

- *Device Viewer* ([www.endress.com/deviceviewer](http://www.endress.com/deviceviewer)): Enter the serial number from the nameplate
- *Endress+Hauser Operations app*: Enter serial number from nameplate or scan matrix code on nameplate.

### Standard documentation

#### Document type: Operating Instructions (BA)

Installation and initial commissioning – contains all functions in the operating menu that are required for a typical measuring task. Functions beyond this scope are not included.

#### Document type: Description of Device Parameters (GP)

The document is part of the Operating Instructions and serves as a reference for parameters, providing a detailed explanation of each individual parameter of the operating menu.

#### Document type: Brief Operating Instructions (KA)

Quick guide to the first measured value – includes all essential information from incoming acceptance to electrical connection.

#### Document type: Safety Instructions, certificates

Depending on the approval, Safety Instructions are supplied with the device, e.g. XA. This documentation is an integral part of the Operating Instructions.

The nameplate indicates which Safety Instructions (XA) apply to the device in question.

### Supplementary device-dependent documentation

Additional documents are supplied depending on the device version ordered: Always comply strictly with the instructions in the supplementary documentation. The supplementary documentation is an integral part of the device documentation.

#### Special documentation

- SD02874F: Heartbeat Verification + Monitoring application package
- SD02530P: Graphic display with Bluetooth, radio approval
- SD02398F: Sliding sleeve for Liquiphant (installation instructions)
- TI00426F: Weld-in adapter, process adapter and flanges (overview)

## Registered trademarks

### HART®

Registered trademark of the FieldComm Group, Austin, Texas, USA

### Bluetooth®

The *Bluetooth*® word mark and logos are registered trademarks owned by the Bluetooth SIG, Inc. and any use of such marks by Endress+Hauser is under license. Other trademarks and trade names are those of their respective owners.

### Apple®

Apple, the Apple logo, iPhone, and iPod touch are trademarks of Apple Inc., registered in the U.S. and other countries. App Store is a service mark of Apple Inc.

### Android®

Android, Google Play and the Google Play logo are trademarks of Google Inc.



[www.addresses.endress.com](http://www.addresses.endress.com)

---